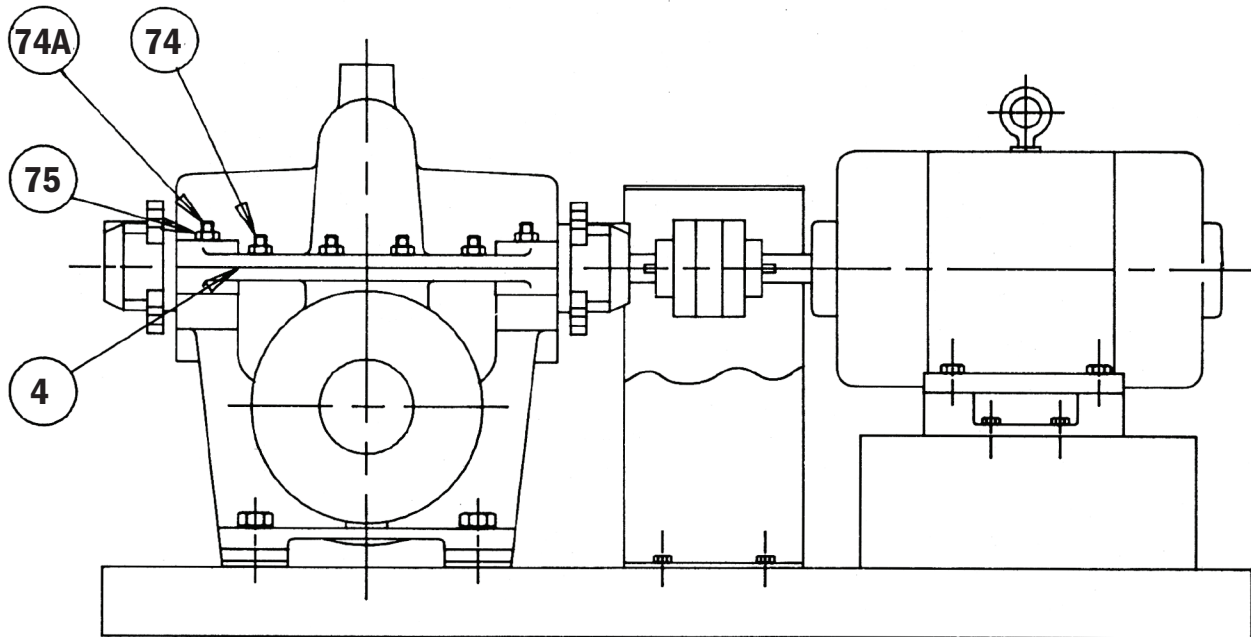
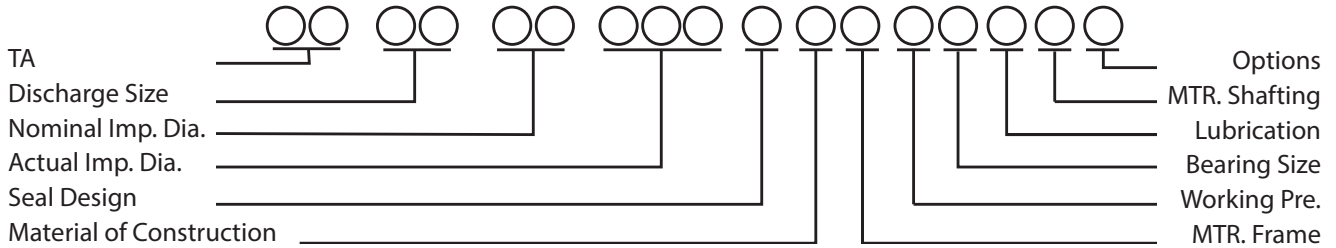




TA MODELS 1548, 2038, 2048 & 2538 REPLACEMENT PARTS

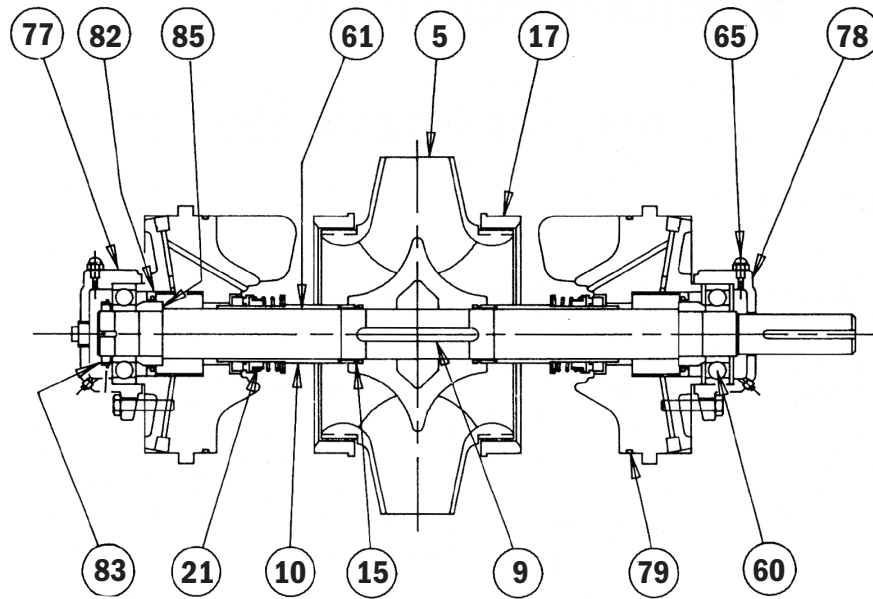
Reference

When selecting and ordering parts, always refer to serial numbers on the name plate.



TA Series Horizontal Split Case Pumps

Mechanical Seal Parts & Internal Parts



Item No.	Qty.	ID No.	Part Number	Description	PUMP MODEL NUMBER				Remarks
					1548	2038	2048	2538	
4	1	21	951-418RP	Casing Gasket Set	X				
4	1	19	951-382RP	Casing Gasket Set		X			
4	1	22	951-414RP	Casing Gasket Set			X		
4	1	20	951-384RP	Casing Gasket Set				X	
5	1	21	950-1239BRP	Bronze Impeller	X				
5	1	19	950-1237BRP	Bronze Impeller		X			
5	1	22	950-1240BRP	Bronze Impeller			X		
5	1	20	950-1238BRP	Bronze Impeller				X	
9	1	5	950-1245BRP	Impeller Key	X	X	X	X	
10	2	10	950-1250BRP	Bronze Sleeve	X	X	X	X	
10	2	10	951-358RP	Stainless Steel Sleeve	X	X	X	X	
15	2	3	950-178RP	Sleeve "O" Ring	X	X	X	X	
17	2	8	950-1258BRP	Bronze Wear Ring		X	X	X	
17	2	9	950-1259BRP	Bronze Wear Ring	X				
21	2	3	950-675RP	Standard Water Seal	X	X	X	X	**
21	2	3	950-678RP	Hi-Temp Water Seal	X	X	X	X	**
21	2	3	950-681RP	Ceramic Water Seal	X	X	X	X	**
60	2	3	950-964RP	Ball Bearing	X	X	X	X	
61	1	5	950-1268RP	Shaft (Stl.)	X	X	X	X	
61	1	5	950-1268SRP	Shaft (S.S.)	X	X	X	X	

*Select seal per code on pump nameplate.

Mechanical Seal Parts & Internal Parts (continued)

Item No.	Qty.	ID No.	Part Number	Description	PUMP MODEL NUMBER				Remarks
					1548	2038	2048	2538	
65	2	1	950-1214RP	Grease Fitting	X	X	X	X	
74	21	5	950-1273RP	Casing Studs	X	X	X		
74	22	5	950-12737RP	Casing Studs				X	
74A	4	14	950-1278RP	Casing Studs	X	X	X	X	
75	25	3	950-1281RP	Casing Nut	X	X	X		
75	26	3	950-1281RP	Casing Nut				X	
77	1	3	950-1284RP	Bearing Housing (NDE)	X	X	X	X	
78	1	3	950-1287RP	Bearing Housing (DE)	X	X	X	X	
79	2		951-369RP	"O" Ring	X	X	X	X	
82	2	3	950-1291RP	Oil Seal	X	X	X	X	
83	1	3	950-1294RP	Nut, Bearing Retainer	X	X	X	X	
85	2	3	950-1297RP	Shoulder Ring	X	X	X	X	
	1		951-1861RP	(CW) Rotating Elem. Assy.	X				*
	1		951-1862RP	(CW) Rotating Elem. Assy.		X			*
	1		951-1863RP	(CW) Rotating Elem. Assy.			X		*
	1		951-1864RP	(CW) Rotating Elem. Assy.				X	*
	1		951-1883RP	(CCW) Rotating Elem. Assy.	X				*
	1		951-1884RP	(CCW) Rotating Elem. Assy.		X			*
	1		951-1885RP	(CCW) Rotating Elem. Assy.			X		*
	1		951-1886RP	(CCW) Rotating Elem. Assy.				X	*

** Number shown are quantities required. "X" is for pump model.

All bolts, lockwashers, plugs and coupler guard screws are hardware items.

*Impeller diameter must be specified.

*Bronze impeller and sleeve, carbon steel shaft and standard ni-resist seals.