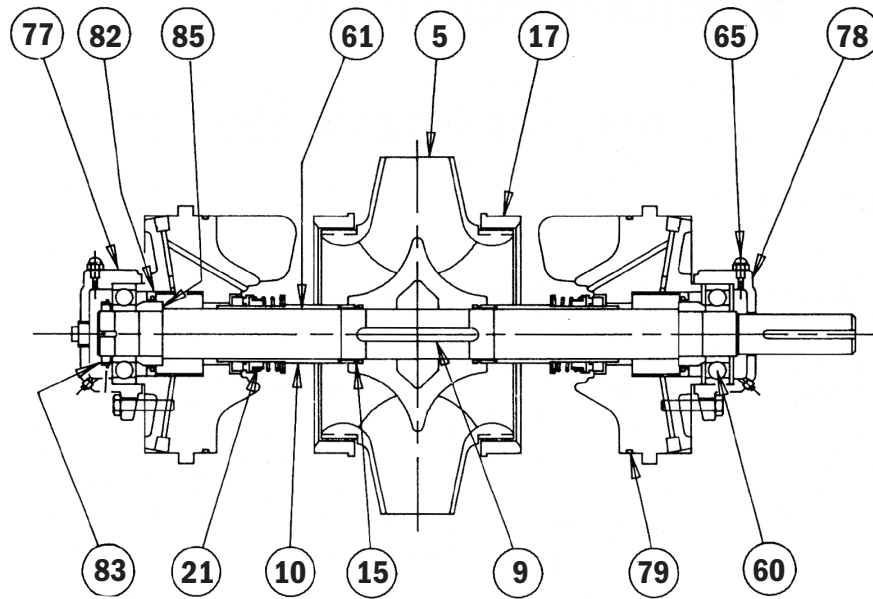


Mechanical Seal Parts & Internal Parts



Item No.	Qty.	ID No.	Part Number	Description	PUMP MODEL NUMBER				Remarks
					1538	2030	2524	2530	
4	1	18	951-420RP	Casing Gasket Set	X				
4	1	14	951-394RP	Casing Gasket Set		X			
4	1	12	951-388RP	Casing Gasket Set			X		
4	1	15	951-402RP	Casing Gasket Set				X	
5	1	18	950-1236BRP	Bronze Impeller					
5	1	14	950-1232BRP	Bronze Impeller	X				
5	1	12	950-1230BRP	Bronze Impeller		X			
5	1	15	950-1233BRP	Bronze Impeller			X		
9	1	3	950-1243BRP	Impeller Key				X	
9	1	4	950-1244BRP	Impeller Key	X				
10	2	8	951-1248BRP	Bronze Sleeve		X	X	X	
10	2	9	950-1249BRP	Bronze Sleeve	X				
10	2	8	951-159RP	Stainless Steel Sleeve		X	X	X	
10	2	9	951-160RP	Stainless Steel Sleeve	X				
15	2	2	951-177RP	Sleeve "O" Ring		X	X	X	
17	2	6	950-1256BRP	Bronze Wear Ring	X	X	X	X	
17	2	7	950-1257BRP	Bronze Wear Ring	X				
21	2	2	950-674RP	Standard Water Seal		X	X	X	*
21	2	2	950-677RP	Hi-Temp Water Seal	X	X	X	X	*
21	2	2	950-680RP	Ceramic Water Seal	X	X	X	X	*
60	2	2	950-963RP	Ball Bearing	X	X	X	X	

*Select seal per code on pump nameplate.

Mechanical Seal Parts & Internal Parts (continued)

Item No.	Qty.	ID No.	Part Number	Description	PUMP MODEL NUMBER				Remarks
					1538	2030	2524	2530	
61	1	3	950-1266RP	Shaft (Stl.)	X				
61	1	3	950-1266SRP	Shaft (S.S.)	X				
61	1	3	950-1267RP	Shaft (Stl.)		X	X	X	
61	1	3	950-1267SRP	Shaft (S.S.)		X	X	X	
65	2	1	950-1214RP	Grease Fitting	X	X	X	X	
74		3	950-1271RP	Casing Studs	19/X				**
74		4	950-1272RP	Casing Studs		20/X		19/X	**
74		5	950-1273RP	Casing Studs			15/X		**
74A	4	12	950-1276RP	Casing Studs	X				
74A	4	13	950-1277RP	Casing Studs		X	X	X	
74A	4	14	950-1278RP	Casing Studs			X		
75		2	950-1280RP	Casing Nut	23/X	24/X		23/X	**
75		3	950-1281RP	Casing Nut			19/X		**
77	1	2	950-1283RP	Bearing Housing (NDE)	X	X	X	X	
78	1	2	950-1286RP	Bearing Housing (NDE)	X	X	X	X	
79	2		950-966RP	"O" Ring	X				
79	2		951-614RP	"O" Ring		X	X	X	
82	2	2	950-1290RP	Oil Seal	X	X	X	X	
83	1	2	950-1293RP	Nut, Bearing Retainer	X	X	X	X	
85	2	2	950-1296RP	Shoulder Ring	X	X	X	X	
	1		951-1857RP	(CCW) Rotating Elem. Assembly	X				*
	1		951-1858RP	(CCW) Rotating Elem. Assembly		X			*
	1		951-1859RP	(CCW) Rotating Elem. Assembly			X		*
	1		951-1858RP	(CCW) Rotating Elem. Assembly				X	*
	1		951-1859RP	(CCW) Rotating Elem. Assembly	X				*
	1		951-1880RP	(CCW) Rotating Elem. Assembly		X			*
	1		951-1881RP	(CCW) Rotating Elem. Assembly			X		*
	1		951-1882RP	(CCW) Rotating Elem. Assembly				X	*

** Number shown are quantities required. "X" is for pump model.

All bolts, lockwashers, plugs and coupler guard screws are hardware items.

*Impeller diameter must be specified.

*Bronze impeller and sleeve, carbon steel shaft and standard ni-resist seals.