

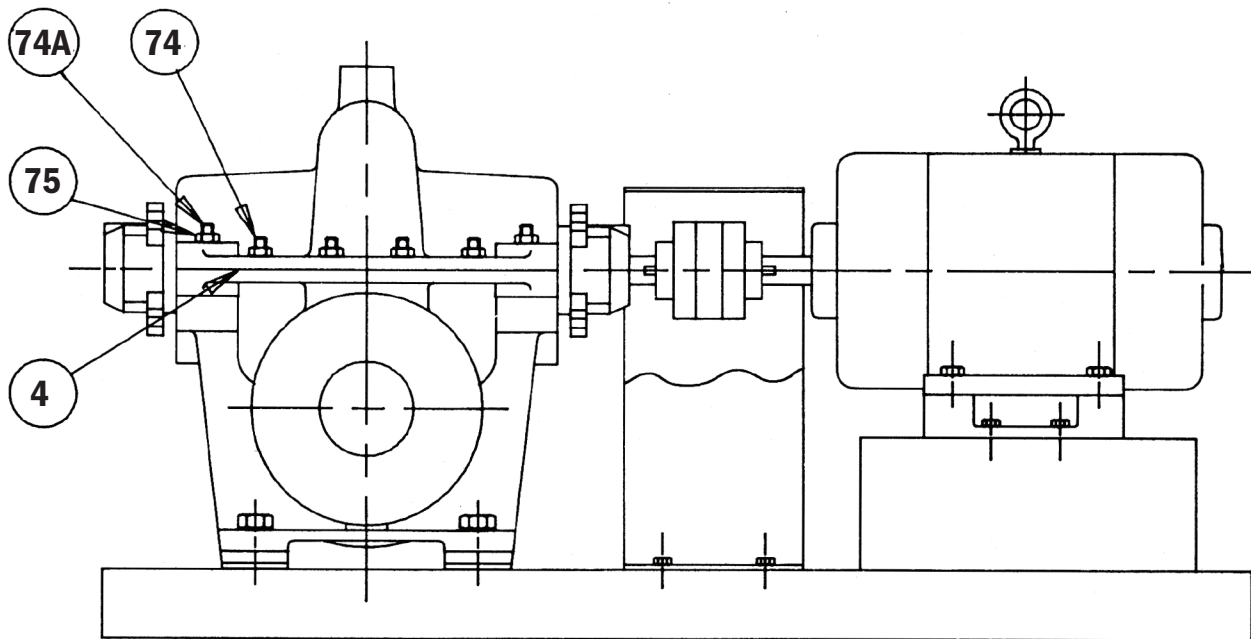
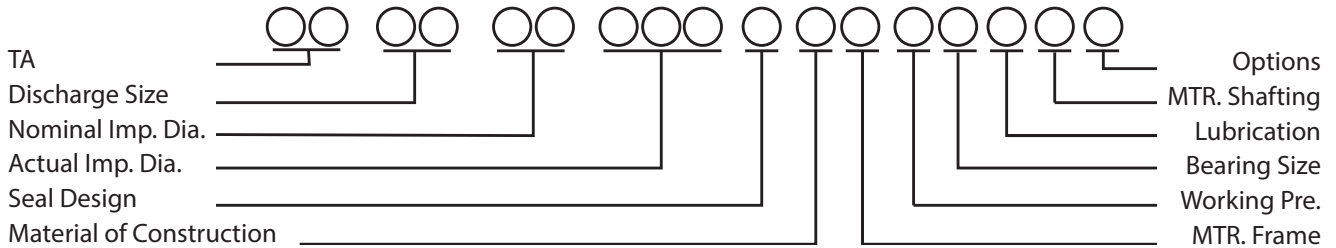


TA MODELS

1030, 1224, 1229, 1230, 1524

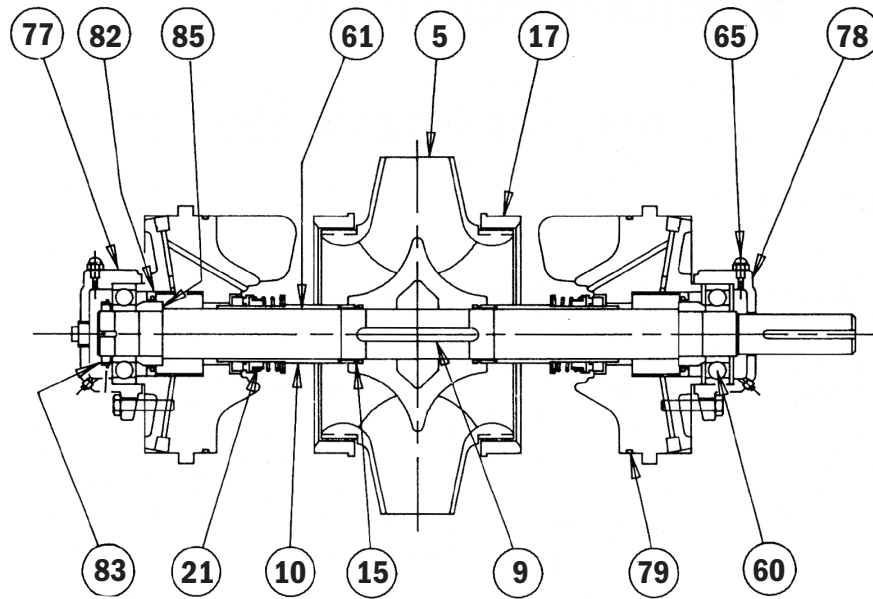
REPLACEMENT PARTS

When selecting and ordering parts, always refer to serial numbers on the name plate.



TA Series Horizontal Split Case Pumps

Mechanical Seal Parts & Internal Parts



Item No.	Qty.	ID No.	Part Number	Description	PUMP MODEL NUMBER					Remarks
					1030	1224	1229	1230	1524	
4	1	7	951-396RP	Casing Gasket Set	X					
4	1	3	951-412RP	Casing Gasket Set		X				
4	1	5	951-390RP	Casing Gasket Set			X			
4	1	8	951-398RP	Casing Gasket Set				X		
4	1	4	951-386RP	Casing Gasket Set					X	
5	1	7	950-1225BRP	Bronze Impeller	X					
5	1	3	950-1221BRP	Bronze Impeller		X				
5	1	5	950-1223BRP	Bronze Impeller			X			
5	1	8	950-1226BRP	Bronze Impeller				X		
5	1	4	950-1222BRP	Bronze Impeller					X	
9	1	1	950-1241RP	Impeller Key	X		X			
9	1	2	950-1242RP	Impeller Key		X		X	X	
10	2	6	951-158RP	Sleeve (SS)	X		X			
10	2	7	951-157RP	Sleeve (SS)		X		X	X	
10	2	6	950-1246BRP	Sleeve (Bronze)	X		X			
10	2	7	950-1247BRP	Sleeve (Bronze)		X		X	X	
15	2	1	951-176RP	Sleeve "O" Ring	X	X	X	X	X	
17	2	2	950-1252BRP	Bronze Wear Ring	X		X			
17	2	5	950-1255BRP	Bronze Wear Ring		X		X	X	
21	2	1	950-673RP	Standard Water Seal	X	X	X	X	X	
21	2	1	950-676BRP	Hi-Temp Water Seal	X	X	X	X	X	
21	2	1	950-679RP	Ceramic Water Seal	X	X	X	X	X	

Mechanical Seal Parts & Internal Parts (continued)

Item No.	Qty.	ID No.	Part Number	Description	PUMP MODEL NUMBER					Remarks
					1030	1224	1229	1230	1524	
60	2	1	950-962RP	Ball Bearing	X	X	X	X	X	
61	1	1	950-1264RP	Shaft (Stl.)	X		X			
61	1	1	950-1264SRP	Shaft (S.S.)	X		X			
61	1	1	950-1265RP	Shaft (Stl.)		X		X	X	
61	1	1	950-1265SRP	Shaft (S.S.)		X		X	X	
65	2	1	950-1214RP	Grease Fitting	X	X	X	X	X	
74		2	950-1270RP	Casing Stud	17/X		15/X			**
74	15	3	950-1271RP	Casing Stud		X		X	X	
74A	4	11	950-1275RP	Casing Stud	X		X			
74A	4	12	950-1276RP	Casing Stud		X		X	X	
75		1	950-1279RP	Casing Nut	21/X		19/X			**
75	19	2	950-1280RP	Casing Nut		X		X	X	
77	1	1	950-1282RP	Bearing Housing (NDE)	X	X	X	X	X	
78	1	1	950-1285RP	Bearing Housing (DE)	X	X	X	X	X	
79	2		950-965RP	"O" Ring	X		X			
79	2		950-966RP	"O" Ring		X		X	X	
82	2	1	950-1289RP	Oil Seal	X	X	X	X	X	
83	1	1	950-1292RP	Nut, Bearing Retainer	X	X	X	X	X	
85	2	1	950-1295RP	Shoulder Ring	X	X	X	X	X	
	1		951-1848RP	(CW) Rotating Elem. Assembly	X					*
	1		951-1849RP	(CW) Rotating Elem. Assembly		X				*
	1		951-1850RP	(CW) Rotating Elem. Assembly			X			*
	1		951-1851RP	(CW) Rotating Elem. Assembly				X		*
	1		951-1852RP	(CW) Rotating Elem. Assembly					X	*
	1		951-1870RP	(CCW) Rotating Elem. Assembly	X					*
	1		951-1871RP	(CCW) Rotating Elem. Assembly		X				*
	1		951-1872RP	(CCW) Rotating Elem. Assembly			X			*
	1		951-1873RP	(CCW) Rotating Elem. Assembly				X		*
	1		951-1874RP	(CCW) Rotating Elem. Assembly					X	*

** Number shown are quantities required. "X" is for pump model.

All bolts, lockwashers, plugs and coupler guard screws are hardware items.

*Impeller diameter must be specified.

*Bronze impeller and sleeve, carbon steel shaft and standard ni-resist seals.