



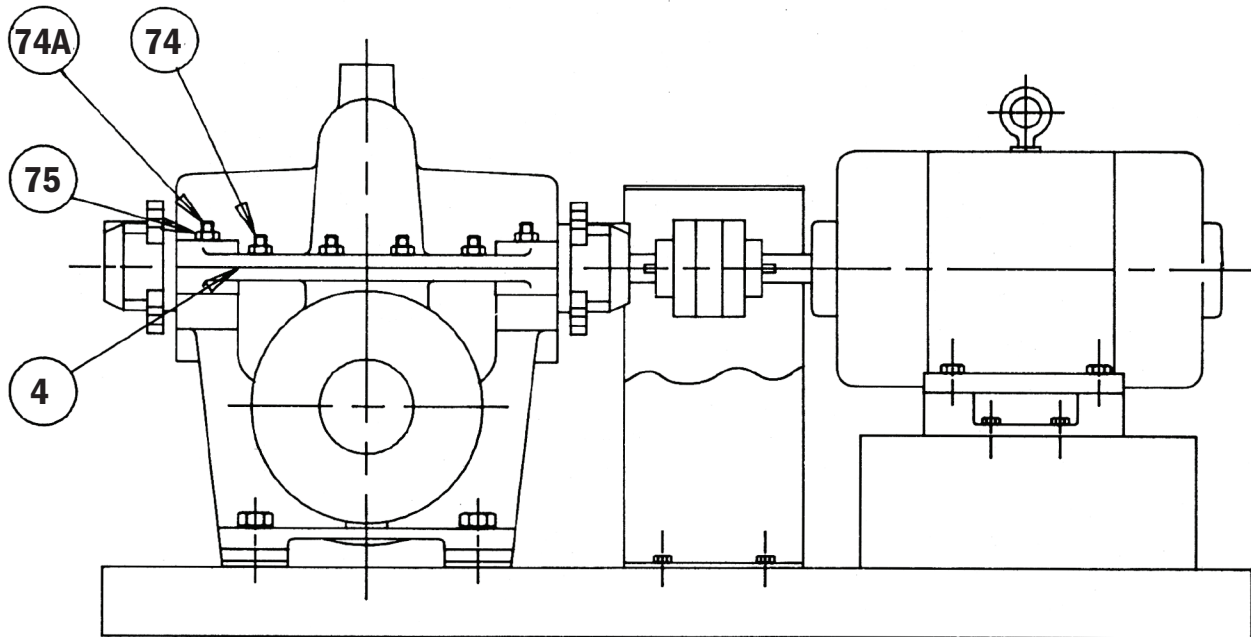
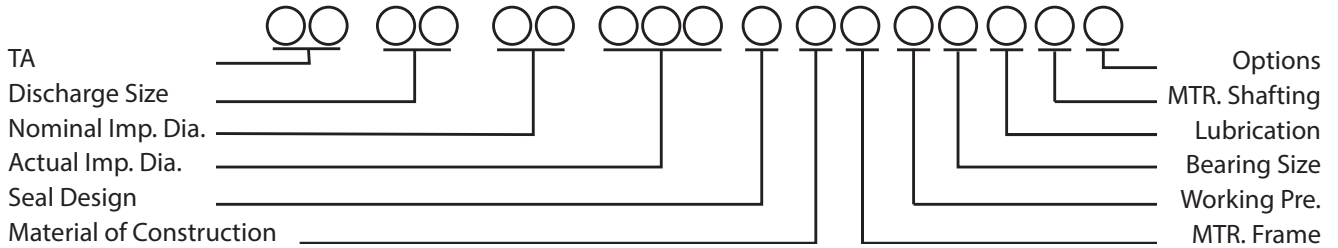
TA MODELS

0538, 0624, 0824, 0830 & 0838

REPLACEMENT PARTS

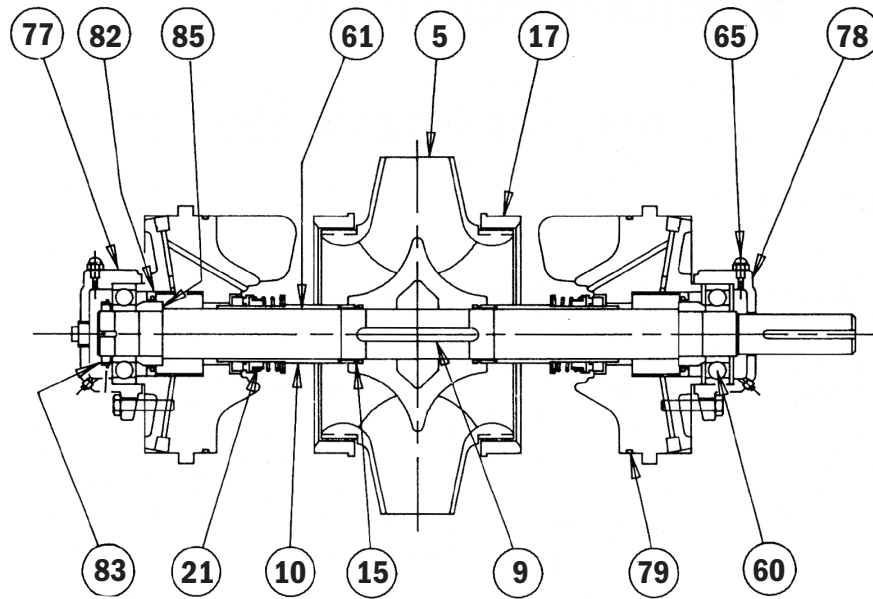
Reference

When selecting and ordering parts, always refer to serial numbers on the name plate.



TA Series Horizontal Split Case Pumps

Mechanical Seal Parts & Internal Parts



Item No.	Qty.	ID No.	Part Number	Description	PUMP MODEL NUMBER					Remarks
					0538	0624	0824	0830	0838	
4	1	9	951-422RP	Casing Gasket Set	X					
4	1	1	951-424RP	Casing Gasket Set		X				
4	1	2	951-416RP	Casing Gasket Set			X			
4	1	6	951-392RP	Casing Gasket Set				X		
4	1	10	951-404RP	Casing Gasket Set					X	
5	1	9	950-1227BRP	Bronze Impeller	X					
5	1	1	950-1219BRP	Bronze Impeller		X				
5	1	2	950-1220BRP	Bronze Impeller			X			
5	1	6	950-1224BRP	Bronze Impeller				X		
5	1	10	950-1228BRP	Bronze Impeller					X	
9	1	1	950-1241RP	Impeller Key	X	X	X	X	X	
10	2	6	950-1246BRP	Bronze Sleeve	X	X	X	X	X	
10	2	6	951-158RP	Sleeve (SS)	X	X	X	X	X	
15	2	1	951-176RP	Sleeve "O" Ring	X	X	X	X	X	
17	2	3	950-1253BRP	Bronze Wear Ring	X					
17	2	1	950-1251BRP	Bronze Wear Ring		X	X	X		
21	2	1	950-673RP	Standard Water Seal	X	X	X	X	X	*
21	2	2	950-676RP	Hi-Temp Water Seal	X	X	X	X	X	*
21	2	3	950-679RP	Ceramic Water Seal	X	X	X	X	X	*
60	2	1	950-962RP	Ball Bearing	X	X	X	X	X	

Mechanical Seal Parts & Internal Parts (continued)

Item No.	Qty.	ID No.	Part Number	Description	PUMP MODEL NUMBER					Remarks
					0538	0624	0824	0830	0838	
60	2	1	950-962RP	Ball Bearing	X	X	X	X	X	
61	1	1	950-1264RP	Shaft (Stl.)	X	X	X	X	X	
61	1	1	950-1264SRP	Shaft (S.S.)	X	X	X	X	X	
61	1	1	950-1265RP	Shaft (Stl.)	18/X				20/X	**
61	1	1	950-1265SRP	Shaft (S.S.)		14/X	14/X	16/X		**
65	2	1	950-1214RP	Grease Fitting	X				X	
74		2	950-1270RP	Casing Stud		X	X	X		
74	15	3	950-1271RP	Casing Stud	22/X	18/X	18/X	20/X	24/X	**
74A	4	11	950-1275RP	Casing Stud	X	X	X	X	X	
74A	4	12	950-1276RP	Casing Stud	X	X	X	X	X	
75		1	950-1279RP	Casing Nut	X				X	
75	19	2	950-1280RP	Casing Nut		X	X	X		
77	1	1	950-1282RP	Bearing Housing (NDE)	X	X	X	X	X	
78	1	1	950-1285RP	Bearing Housing (DE)	X	X	X	X	X	
79	2		950-965RP	"O" Ring	X	X	X	X	X	
79	2		950-966RP	"O" Ring		X		X	X	
82	2	1	950-1289RP	Oil Seal	X	X	X	X	X	
83	1	1	950-1292RP	Nut, Bearing Retainer	X	X	X	X	X	
85	2	1	950-1295RP	Shoulder Ring	X	X	X	X	X	
	1		951-1848RP	(CW) Rotating Elem. Assembly	X					*
	1		951-1849RP	(CW) Rotating Elem. Assembly		X				*
	1		951-1850RP	(CW) Rotating Elem. Assembly			X			*
	1		951-1851RP	(CW) Rotating Elem. Assembly				X		*
	1		951-1852RP	(CW) Rotating Elem. Assembly					X	*
	1		951-1870RP	(CCW) Rotating Elem. Assembly	X					*
	1		951-1871RP	(CCW) Rotating Elem. Assembly		X				*
	1		951-1872RP	(CCW) Rotating Elem. Assembly			X			*
	1		951-1873RP	(CCW) Rotating Elem. Assembly				X		*
	1		951-1874RP	(CCW) Rotating Elem. Assembly					X	*

** Number shown are quantities required. "X" is for pump model.

All bolts, lockwashers, plugs and coupler guard screws are hardware items.

*Impeller diameter must be specified.

*Bronze impeller and sleeve, carbon steel shaft and standard ni-resist seals.