



1900e Series™ - 1915e™ | Submittal Data

Submittal No: 301-253 | Effective: February 11, 2019 | Supersedes: January 17, 2019

JOB: _____

REPRESENTATIVE: _____

ENGINEER: _____

CONTRACTOR: _____

PRODUCT DATA

PART NO. _____ MODEL NO. _____

MODE _____ MODE SETTING _____

GPM _____ HEAD/FT _____

NSF 61-G CERTIFIED YES NO

APPLICATIONS

DUCTILE IRON MODEL

Closed loop, pressurized Heating and Chilled Water HVAC Systems

STAINLESS STEEL MODEL

Potable water systems (DHW recirculation, pressure boosting)

STANDARDS, PROTECTION & FLANGE TYPE

Insulation Class H (180°C)

Enclosure: Type 2 (IP44) Totally Enclosed

Integrated Motor Protection (electronically protected)

Continuous Duty

UL778, 1004-1, 508C

CAN/CSA22.2 #108, #100, #107.1

EMC (89/366EEC): EN 61000

Stainless Steel Version: NSF/ANSI 61-G & 372 Commercial Hot

Flange Type: 2 Bolt, Commercial Oval

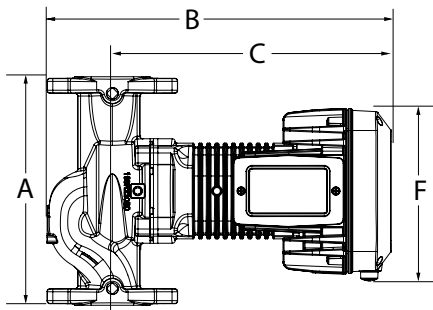
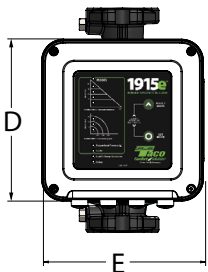


Stainless Steel Model

DIMENSIONS

MODEL NUMBER PART NUMBER	TYPE	FLANGE SIZE	DIMENSIONS					WEIGHT LBS.
			A	B	C	D/E	F	
1915e-F VR65120-HB1-FC2A00	Ductile Iron	1-1/2 (38)	10.4 (264)	15.6 (397)	12.7 (322)	7.5 (190.5)	7.8 (199)	30.5
1915e-SF VR65120-CB1-FS2A00	Stainless Steel							

English dimensions are in inches. Metric dimensions are in millimeters. Metric data is presented in (). Do not use for construction purposes unless certified.



SPECIFICATIONS

MAX SHUT-OFF HEAD	65 feet
MAX. FLOW	120 USGPM
MAX. OPERATING PRESSURE	175 PSI (12 bar)
WATER TEMPERATURE RANGE	36 to 230°F (2 to 110°C)
AMBIENT TEMPERATURE RANGE	32 to 104°F (0 to 40°C)
AMBIENT HUMIDITY	Less than 95% RH (Indoor Use Only)

ELECTRICAL SPECIFICATIONS

PUMP RATINGS	200/240 V, 47-63Hz, 1 Phase
POWER CONSUMPTION (HP)	0.027 - 0.75 HP
POWER CONSUMPTION (W)	20 - 650 W
RATED CURRENT (1 Phase, 230V)	.25A - 3.8A
RELAY OUTPUT	30VDC Max. load up to 2A 12VAC Max. load up to 3A
ANALOG INPUTS	Input Voltage : 0-10VDC, 10mA Output Voltage : 0-10VDC, 10mA

MATERIALS OF CONSTRUCTION

MODEL TYPE	CASING	IMPELLER	SHAFT	BEARING	MECHANICAL SEAL
HVAC MODEL	Ductile Iron Cathodic, Epoxy Electrocoat	PPS	Stainless Steel	Sealed Ball Bearing	Carbon- SiCarbide-EPT
DHW MODEL	Stainless Steel				Carbon- SiCarbide-Viton

MINIMUM STATIC INLET PRESSURE

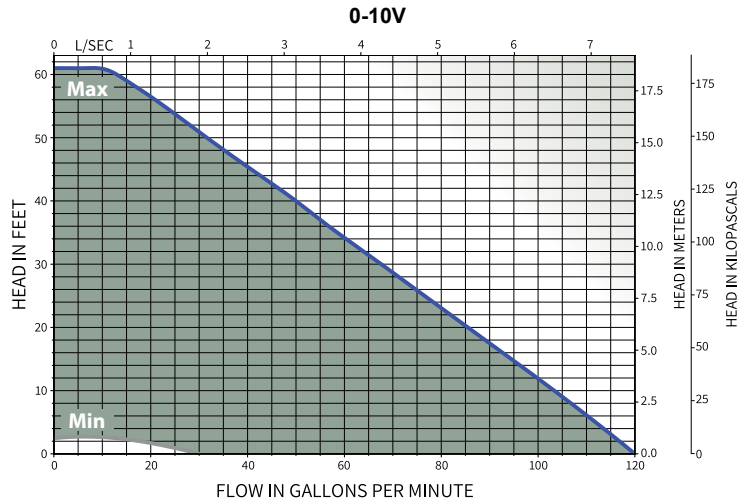
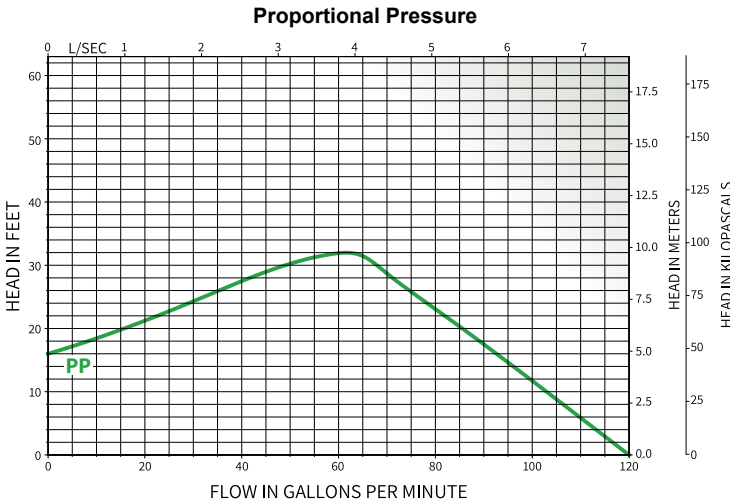
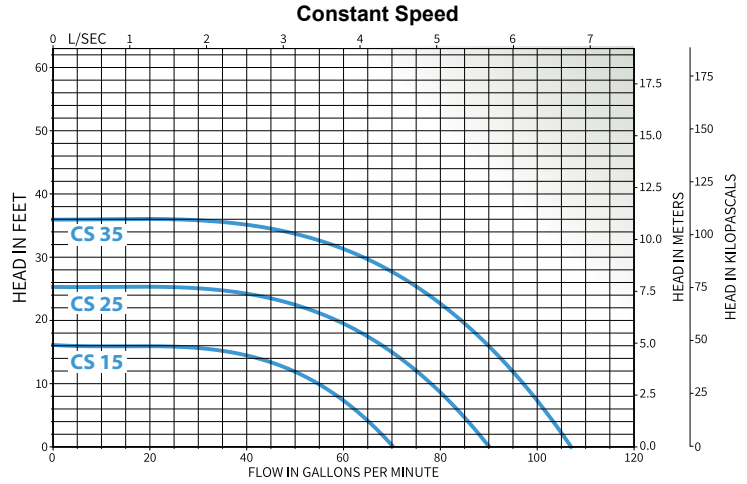
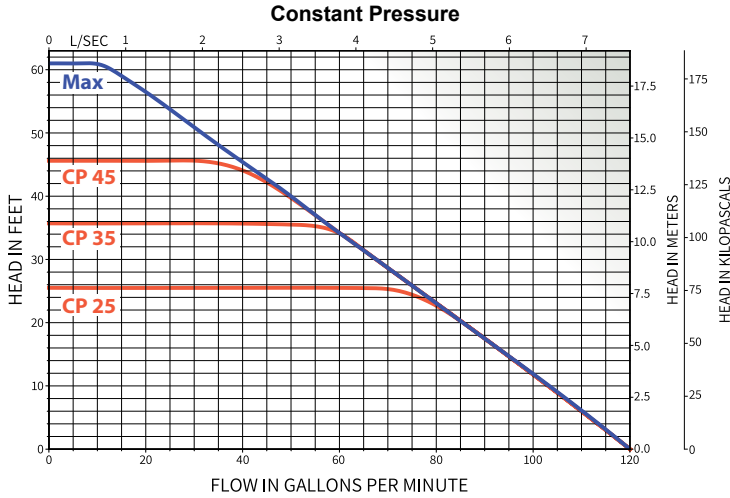
at pump suction port (PSI / bar) to avoid cavitation at fluid temperatures

FLUID TEMPERATURES	PSI / bar
112°F (50°C)	7.3 / 0.5
176°F (80°C)	11.6 / 0.8
230°F (110°C)	20.3 / 1.4

OPERATING MODES

- Constant Pressure Control ($\Delta p-c$) - 0-10Vdc
- Proportional Pressure Control (AUTO) - 2-Pump Alternation
- Constant Speed

PERFORMANCE CURVES



COMMENTS