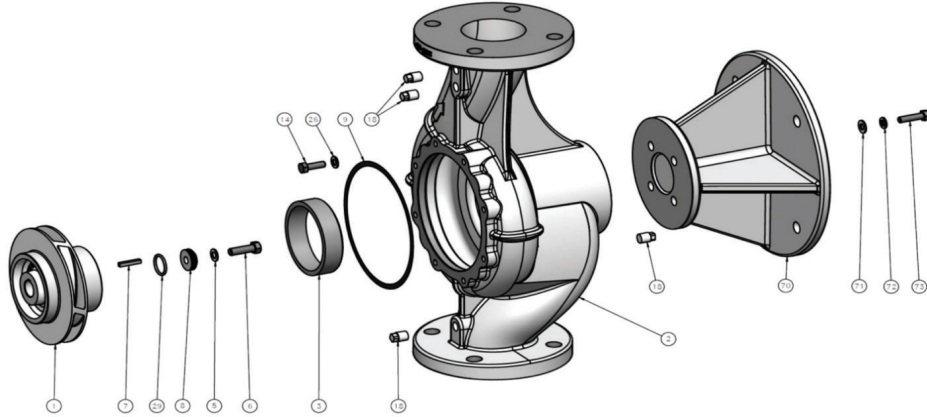
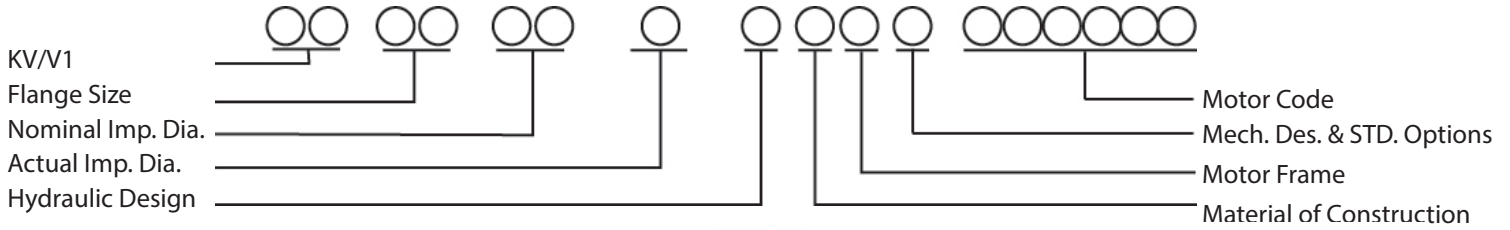




KV 1506 & KV 1506D REPLACEMENT PARTS

Reference

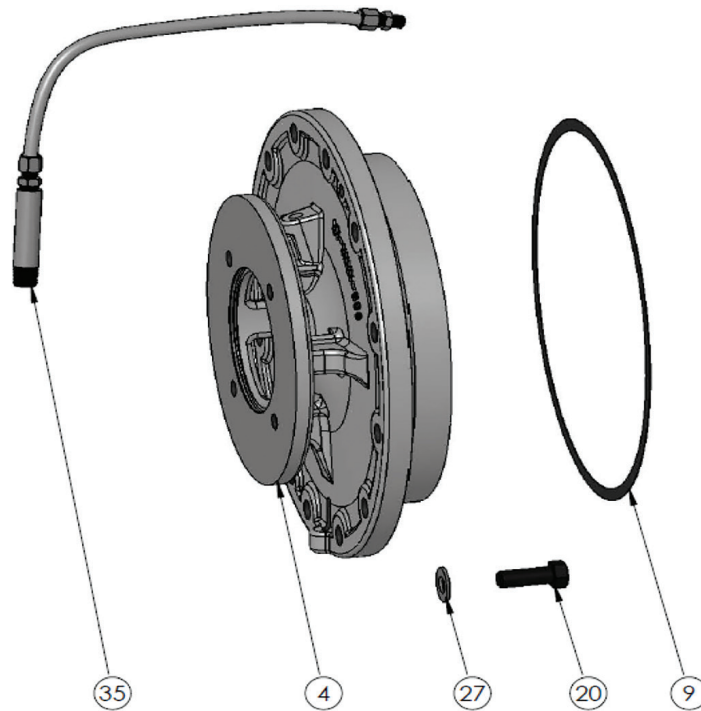
When selecting and ordering parts, always refer to serial numbers on the name plate.



** IMPELLER IS AVAILABLE FOR ALL SPEEDS

ITEM NUMBER	NUMBER REQUIRED	DESCRIPTION	KV1506	KV1506D
			MOTOR FRAME	MOTOR FRAME
			H, J OR K	H, J OR K
1	1	Impeller (Bronze) (1160, 1450 & 1760 RPM)	953-1348RP**	953-6433RP
1	1	Impeller (Stainless Steel) (1160, 1450 & 1760 RPM)	953-1348SRP**	953-6433SRP
1	1	Impeller (BRZ) (With B/H, 2900 & 3600 RPM)	N/A	953-6434RP
1	1	Impeller (SS) (With B/H, 2900 & 3600 RPM)	N/A	953-6434SRP
2	1	Casing (125#) (Bronze W/R)	953-1351RP	953-6421RP
2	1	Casing (250#) (Bronze W/R)	953-1352RP	953-6422RP
2	1	Casing (125#) (No W/R)	953-1389RP	953-6419RP
2	1	Casing (250#) (No W/R)	953-1391RP	953-6420RP
3	1 (W/R)	Wear Ring (Bronze)	953-1357RP	953-6177LRP
5	1	Dowdy Washer	951-2578RP	951-2578RP
6	1	Impeller Bolt (Stainless Steel)	3/8UNC-2A X 1LG	3/8UNC-2A X 1-1/2LG
7	1	Impeller Key (Stainless Steel)	3/16 x 3/16 x 1-1/8LG	3/16 X 3/16 X 1-1/8LG
8	1	Impeller Washer	953-828RP	953-5276RP
9	1	Gasket (Casing)	953-1008RP	953-1008RP
14	12	Casing Bolt (Steel)	5/16UNC-2A X 1 LG	5/16UNC-2A X 1 LG
18	3	Pipe Plug (Brass)	1/4NPT	1/4NPT
26	12	Casing Washer (Zinc)	5/16	5/16
29	1	Impeller Gasket	592-525RP	950-1409RP
70	1	Support Stand (Optional)	953-3907RP	953-3907RP
71	4	Washer	5/16	5/16
72	4	Lock Washer	5/16	5/16
73	4	Bolt	5/15UNC-2A X 1-1/8LG	5/16UNC-2A X 1-1/8LG

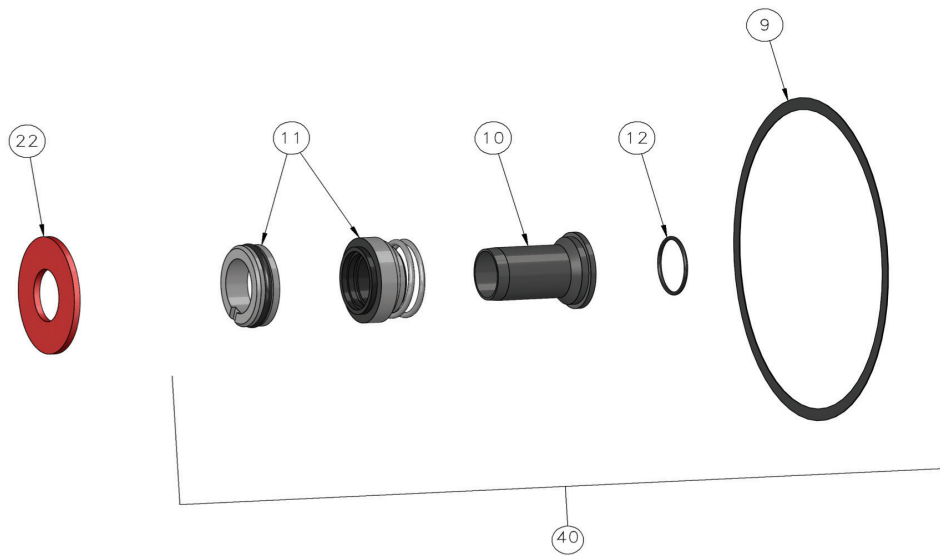
COVER REPLACEMENT PARTS



ITEM NUMBER	NUMBER REQUIRED	DESCRIPTION	MOTOR FRAME			
			H, J, 1 OR 2	K, 3	L, 4	M, N, 5 OR 6
			143-184JM	213-215JM	254-256JM	284-256JM
4	1	KV1505D Cover, 125## & 250#	953-6417RP	953-6433RP	N/A	N/A
4	1	KV1506 Cover, 125# & 250#	953-1355RP	953-6433SRP	N/A	N/A
9	1	Gasket (Casing)	See page 1			
20	4	Motor Bolt	3/8 NC X 1LG	1/2 NC X 1 LG	N/A	N/A
27	4	Motor Washer	953-1351RP	1/2	N/A	
35	1	Tube Kit	951-1547RP			

FROM AW-682 Rev E

KV SEAL KIT



ITEM NUMBER	NUMBER REQUIRED	DESCRIPTION	MOTOR FRAME			
			H, J, K, 1, 2, OR 3	L, M, N, R, 4, 5, 6, OR 7	H, J, K, 1, 2, OR 3	L, M, N, R, 4, 5, 6, OR 7
			143-215JM	254-365JM	143-215JM	254-365JM
9	1	Gasket (Casing)	MECHANICAL DESIGN (125#)		MECHANICAL DESIGN (250#)	
10	1	Sleeve (SS)	See Page 1	N/A	See Page 1	N/A
10	1	Sleeve (Bronze)	953-1118RP	N/A	953-1892RP	N/A
11	1	Seal (Type B)	953-1119RP	N/A	953-1861RP	N/A
11	1	Seal (Type D)	951-3157RP	N/A	951-3766RP	N/A
11	1	Seal (Type E)	951-3159RP	N/A	951-3781RP	N/A
11	1	Seal (Type F)	951-3161RP	N/A	951-3782RP	N/A
12	1	Sleeve Gasket	951-6415RP	N/A	951-6461RP	N/A
22	1	Deflector	592-525RP	N/A	953-525RP	N/A
40	1	Seal Kit (Type B) SS	900-044RP	N/A	900-044RP	N/A
40	1	Seal Kit (Type B) BRZ	953-1549-1RP	N/A	953-1549-7RP	N/A
40	1	Seal Kit (Type D) SS	953-1549-1BRP	N/A	953-1549-8RP	N/A
40	1	Seal Kit (Type D) BRZ	953-1549-2BRP	N/A	953-1549-8BRP	N/A
40	1	Seal Kit (Type E) SS	953-1549-3RP	N/A	953-1549-9RP	N/A
40	1	Seal Kit (Type E) BRZ	953-1549-3BRP	N/A	953-1549-9BRP	N/A
40	1	Seal Kit (Type F) SS	953-1549-41RP	N/A	953-1549-43RP	N/A
40	1	Seal Kit (Type F) BRZ	953-1549-41BRP	N/A	953-1549-43BRP	N/A

FROM AW-682 Rev E