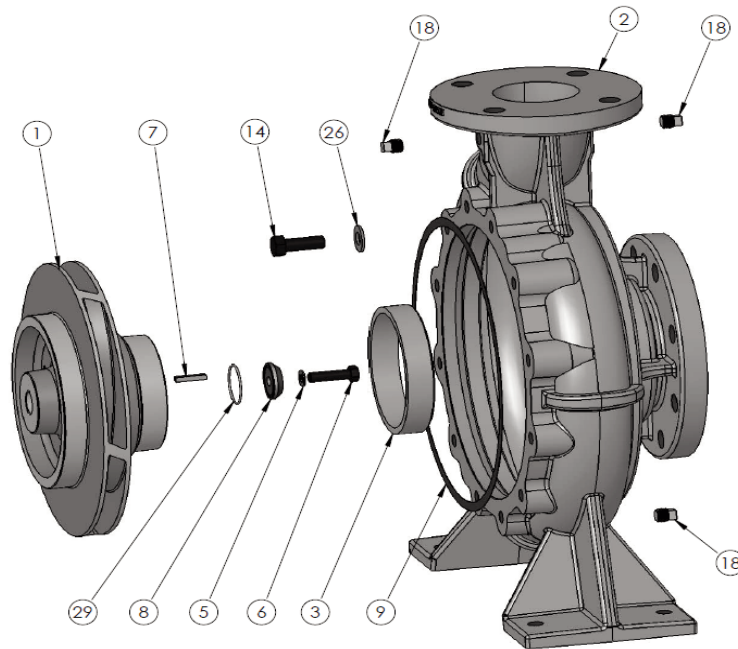
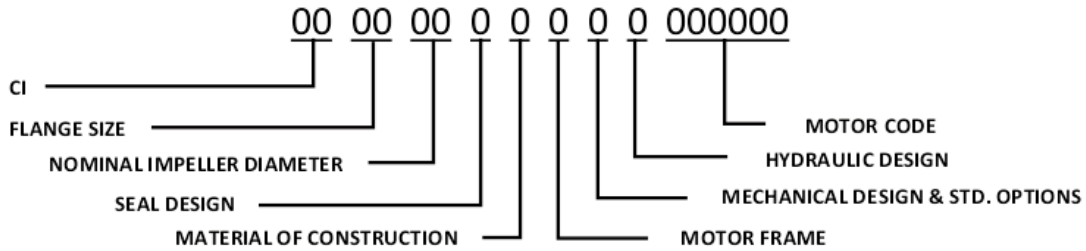


CI 6009B & CI 6009D

SUPERSEDES: New

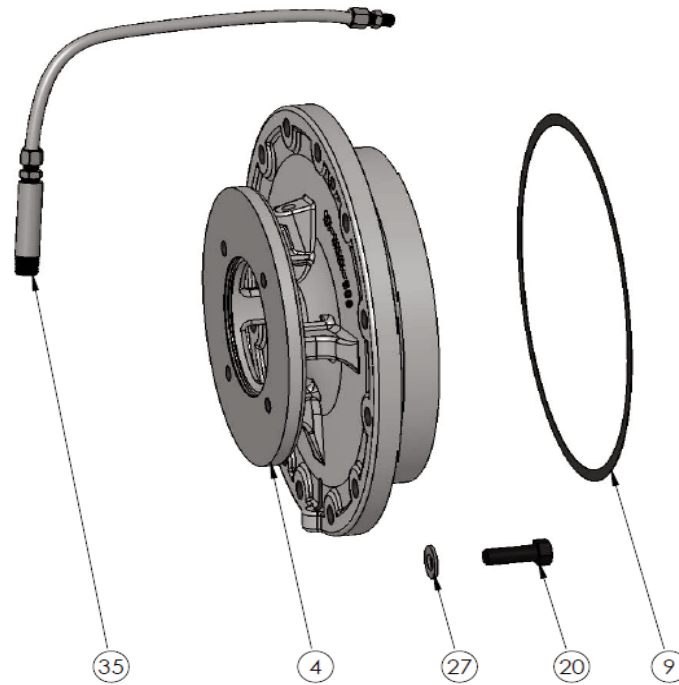
EFFECTIVE: February 1, 2018

WHEN ORDERING PARTS, ALWAYS REFER TO SERIAL NUMBER ON NAMEPLATE



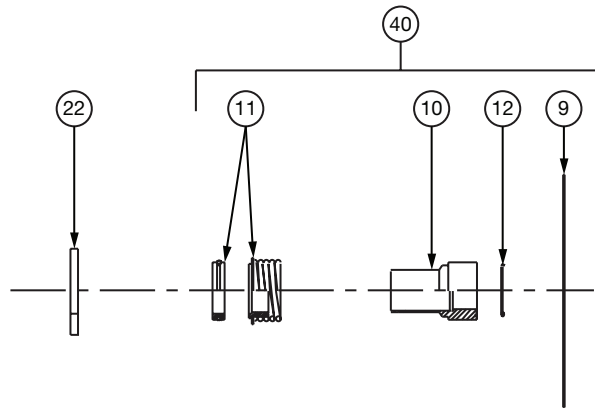
ITEM NUMBER	NUMBER REQUIRED	DESCRIPTION	CI 6009		CI 6009D	
			MOTOR FRAME	MOTOR FRAME	MOTOR FRAME	MOTOR FRAME
			H, J OR K	L, M OR N	H, J OR K	L, M OR N
			143-215JM	254-326JM	143-215JM	254-326JM
1	1	Impeller (Bronze)	953-3248RP**	953-3135RP**	N/A	N/A
1	1	Impeller (Stainless Steel)	N/A	N/A	N/A	N/A
1	1	Impeller (BRZ) (With B/H, 1160, 1450 & 1760 RPM)	N/A	N/A	953-5321RP	953-5236RP
1	1	Impeller (SS) (With B/H, 1160, 1450 & 1760 RPM)	N/A	N/A	953-5322RP	953-5236RP
2	1	Casing (125#) (No W/R)	953-1973RP	953-1973RP	953-5186RP	953-5186RP
2	1	Casing (250#) (No W/R)	953-1974RP	953-1974RP	953-5187RP	953-5187RP
2	1	Casing (125#) (Bronze W/R)	953-2312RP	953-2312RP	953-5188RP	953-5188RP
2	1	Casing (250#) (Bronze W/R)	953-2313RP	953-2313RP	953-5189RP	953-5189RP
3	1 (W/R)	Wear Ring (Bronze)	953-1772RP	953-1772RP	953-1772RP	953-1772RP
5	1	Dowdy Washer	951-2578RP	951-2579RP	951-2578RP	951-2579RP
6	1	Impeller Bolt (Stainless Steel)	3/8NCX 2 LG	1/2NCX1-1/4LG	3/8NCX 1 3/4 LG	1/2NCX1-1/2LG
7	1	Impeller Key (Stainless Steel)	3/16X3/16X2-1/8LG	1/4X1/4X2-1/4LG	3/16X3/16X1-1/2LG	1/4X1/4X2-1/4LG
8	1	Impeller Washer	953-828RP	953-829RP	953-828RP	953-829RP
9	1	Gasket (Casing)	953-1864RP	953-1864RP	953-1864RP	953-1864RP
14	12	Casing Bolt (Steel)	3/8 NC x 7/8 LG	3/8 NC x 7/8 LG	3/8NC X 1LG	3/8NC X 1LG
18	3	Pipe Plug (Brass)	1/4 NPT	1/4 NPT	1/4 NPT	1/4 NPT
26	12	Casing Washer (Zinc)	3/8	3/8	3/8	3/8
29	1	Impeller Gasket	953-830RP	953-759RP	953-830RP	953-759RP

CI Series Cover Replacement Parts



ITEM NUMBER	NUMBER REQUIRED	DESCRIPTION	MOTOR FRAME				PUMP MODEL NUMBER
			H or J	K	L	M OR N	
			143-184JM	213-215JM	254-256JM	284-326JM	
4	1	Cover, 125#	953-4347RP	953-4348RP	953-4220RP	953-4288RP	1209C
		Cover, 250#	953-4377RP	953-4378RP	953-4379RP	953-4380RP	
4	1	Cover	953-1242RP	953-1243RP	953-1244RP	953-1631RP	1509
4	1	Cover, 125#	953-4444RP	953-4446RP	953-4448RP	953-4450RP	1509C
		Cover, 250#	953-4445RP	953-4447RP	953-4449RP	953-4451RP	
4	1	Cover, 125#	953-6050-15RP	953-6044-15RP	953-6039-15RP	953-6041-15RP	1509D
		Cover, 250#	953-6050-15RP	953-6044-15RP	953-6040-15RP	953-6042-15RP	
4	1	Cover	953-849RP	953-853RP	953-900RP	953-903RP	2009
4	1	Cover, 125#	953-4347RP	953-4348RP	953-4220RP	953-4288RP	2009C
		Cover, 250#	953-4377RP	953-4378RP	953-4379RP	953-4380RP	
4	1	Cover, 125#	953-6050-20RP	953-6044-20RP	953-6039-20RP	953-6041-20RP	2009D
		Cover, 250#	953-6050-20RP	953-6044-20RP	953-6040-20RP	953-6042-20RP	
4	1	Cover	953-849RP	953-853RP	953-900RP	953-903RP	2509
4	1	Cover, 125#	953-4347RP	953-4348RP	953-4220RP	953-4288RP	2509C
		Cover, 250#	953-4377RP	953-4378RP	953-4379RP	953-4380RP	
4	1	Cover	953-850RP	953-854RP	953-901RP	953-904RP	3009
4	1	Cover, 125#	953-4444RP	953-4446RP	953-901RP	953-904RP	3009C
		Cover, 250#	953-4445RP	953-4447RP	953-901RP	953-904RP	
4	1	Cover, 125#	953-6050-30RP	953-6044-30RP	953-6039-30RP	953-6041-30RP	3009D
		Cover, 250#	953-6050-30RP	953-6044-30RP	953-6040-30RP	953-6042-30RP	
4	1	Cover	953-2706RP	953-2707RP	953-2708RP	N/A	4009
4	1	Cover, 125#	953-4444RP	953-4446RP	953-4448RP	N/A	4009C
		Cover, 250#	953-4445RP	953-4447RP	953-4449RP	N/A	
4	1	Cover, 125#	953-6050-40RP	953-6044-40RP	953-6039-40RP	N/A	4009D
		Cover, 250#	953-6050-40RP	953-6044-40RP	953-6040-40RP	N/A	
4	1	Cover	953-1131RP	953-1132RP	953-1129RP	N/A	5009
4	1	Cover, 125#	953-4444RP	953-4446RP	953-4448RP	N/A	5009C
		Cover, 250#	953-4445RP	953-4447RP	953-4449RP	N/A	
4	1	Cover, 125#	953-6050-50RP	953-6044-50RP	953-6039-50RP	953-6041-50RP	5009D
		Cover, 250#	953-6050-50RP	953-6044-50RP	953-6040-50RP	953-6042-50RP	
4	1	Cover	953-2706RP	953-2707RP	953-2708RP	-	5095
4	1	Cover	N/A	953-1819RP	953-1820RP	953-1821RP	6009
4	1	Cover, 125#	N/A	953-5330RP	953-5325RP	953-5327RP	6009D
		Cover, 250#	N/A	953-5331RP	953-5326RP	953-5328RP	
9	1	Gasket (Casing)	see page 1	see page 1	see page 1	see page 1	ALL MODELS LISTED
20	4	Motor Bolt	3/8 NC x 1 LG	1/2 NC x 1 1/4 LG	1/2 NC x 1 1/2 LG	5/8 NC x 1 1/4 LG	
27	4	Motor Washer	3/8	1/2	1/2	5/8	
35	1	Tube Kit	951-1547RP	951-1547RP	951-1547RP	951-1547RP	

CI Series Seal Replacement Parts



CI-Seal Replacement Parts

1206, 1206D, 1506, 1506D, 2506D, 2506D		1206, 1206D, 1506, 1506D, 2506D, 2506D	
1207, 1507, 1207D, 1507D 2007, 2007D, 2507, 2507D 3007, 3007D, 4075 4007, 4007D, 5007, 5007D	1207, 1507, 1207D, 1507D 2007, 2007D, 2507, 2507D 3007, 3007D, 4075 4007, 4007D, 5007, 5007D	1207, 1507, 1207D, 1507D 2007, 2007D, 2507, 2507D 3007, 3007D, 4075 4007, 4007D, 5007, 5007D	1207, 1507, 1207D, 1507D 2007, 2007D, 2507, 2507D 3007, 3007D, 4075 4007, 4007D, 5007, 5007D
2508	2508	2508	2508
1209C, 1509, 1509C, 1509D 2009, 2009C, 2009D 2509, 2509C, 2509D 3009, 3009C, 3009D 4009, 4009C, 4009D 5009, 5009C, 5009D 5095, 6009, 6009D	1209C, 1509, 1509C, 1509D 2009, 2009C, 2009D 2509, 2509C, 2509D 3009, 3009C, 3009D 4009, 4009C, 4009D 5009, 5009C, 5009D 5095, 6009, 6009D	1209C, 1509, 1509C, 1509D 2009, 2009C, 2009D 2509, 2509C, 2509D 3009, 3009C, 3009D 4009, 4009C, 4009D 5009, 5009C, 5009D 5095, 6009, 6009D	1209C, 1509, 1509C, 1509D 2009, 2009C, 2009D 2509, 2509C, 2509D 3009, 3009C, 3009D 4009, 4009C, 4009D 5009, 5009C, 5009D 5095, 6009, 6009D
1511, 2511, 2511D 3011, 3011D 4011, 4011C, 5011, 5011D	1511, 2511, 2511D 3011, 3011D 4011, 4011C, 5011, 5011D, 6011, 6011D	1511, 2511, 2511D 3011, 3011D 4011, 4011C, 5011, 5011D	1511, 2511, 2511D 3011, 3011D 4011, 4011C, 5011, 5011D, 6011, 6011D
2510, 2510C	2510, 2510C	2510, 2510C	2510, 2510C
2013C 2513, 2513D, 3013, 3013D 4013, 4013D, 5013	2013C 2513, 2513D, 3013, 3013D 4013, 4013D, 5013 6013	2013C 2513, 2513D, 3013, 3013D 4013, 4013D, 5013	2013C 2513, 2513D, 3013, 3013D 4013, 4013D, 5013 6013

ITEM NO.	NO. REQ.	DESCRIPTION	MOTOR FRAME			
			H, J, OR K		L, M, N OR R	
			143-215JM		254-365JM	
			MECHANICAL DESIGN (125#)		MECHANICAL DESIGN (250#)	
9	1	Gasket (Casing)	See Page 1	See Page 1	See Page 1	See Page 1
10	1	Sleeve (SS)	953-1118RP	953-1170RP	953-1892RP	953-1891RP
10	1	Sleeve (Bronze)	953-1119RP	953-1171RP	953-1861RP	953-1887RP
11	1	Seal (Type B)	951-3157RP	951-3158RP	951-3766RP	951-5158RP
11	1	Seal (Type D)	951-3159RP	951-3160RP	951-3781RP	951-5159RP
11	1	Seal (Type E)	951-3161RP	951-3162RP	951-3782RP	951-5160RP
11	1	Seal (Type F)	951-6415RP	951-6417RP	951-6461RP	951-6456RP
12	1	Sleeve Gasket	592-525RP	951-3042RP	953-525RP	951-3042RP
22	1	Deflector	900-044RP	951-3065RP	900-044RP	951-3065RP
40	1	Seal Kit (Type B) SS	953-1549-1RP	953-1549-4RP	953-1549-7RP	953-1549-10RP
40	1	Seal Kit (Type B) BRZ	953-1549-1BRP	953-1549-4BRP	953-1549-7BRP	953-1549-10BRP
40	1	Seal Kit (Type D) SS	953-1549-2RP	953-1549-5RP	953-1549-8RP	953-1549-11RP
40	1	Seal Kit (Type D) BRZ	953-1549-2BRP	953-1549-5BRP	953-1549-8BRP	953-1549-11BRP
40	1	Seal Kit (Type E) SS	953-1549-3RP	953-1549-6RP	953-1549-9RP	953-1549-12RP
40	1	Seal Kit (Type E) BRZ	953-1549-3BRP	953-1549-6BRP	953-1549-9BRP	953-1549-12BRP
40	1	Seal Kit (Type F) SS	953-1549-41RP	953-1549-42RP	953-1549-43RP	953-1549-44RP
40	1	Seal Kit (Type F) BRZ	953-1549-41BRP	953-1549-42BRP	953-1549-43BRP	953-1549-44BRP

AW-687 REV 5



Taco, Inc., 1160 Cranston Street, Cranston, RI 02920 | Tel: (401) 942-8000 | FAX: (401) 942-2360

Taco (Canada), Ltd., 8450 Lawson Road, Suite #3, Milton, Ontario L9T 0J8 | Tel: (905) 564-9422 | FAX: (905) 564-9436

Visit our web site: www.TacoComfort.com | Printed in USA | ©2017 Taco, Inc.

