

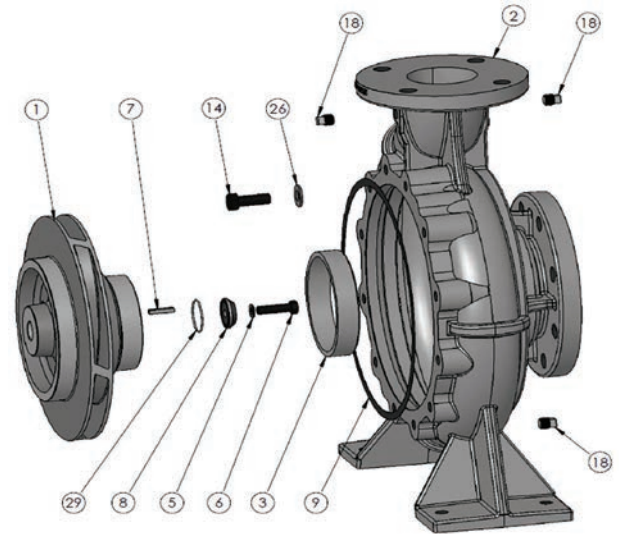
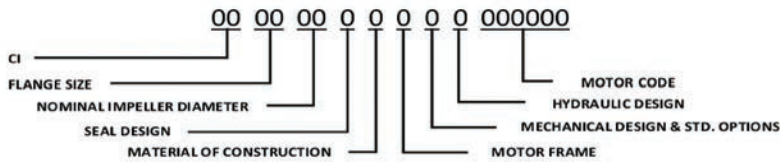
Replacement Parts List

CI 2509, CI 2509C & CI 2509D

SUPERSEDES: June 1, 2012

EFFECTIVE: January 31, 2019

WHEN SELECTING AND ORDERING PARTS, ALWAYS REFER TO SERIAL NUMBER ON NAMEPLATE

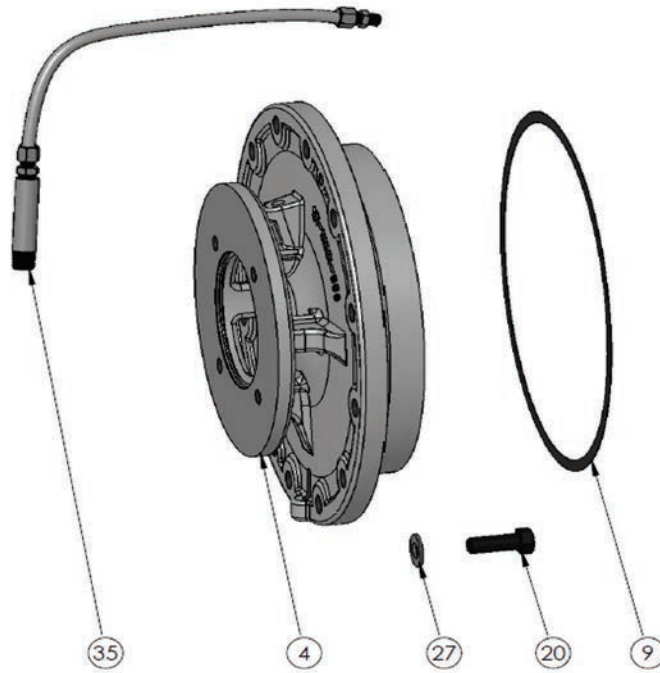


ITEM NO.	NUMBER REQ.	DESCRIPTION	CI 2509		CI 2509C		CI 2509D	
			MOTOR FRAME	MOTOR FRAME	MOTOR FRAME	MOTOR FRAME	MOTOR FRAME	MOTOR FRAME
			H, J OR K	L, M OR N	H, J OR K	L, M OR N	H, J OR K	L, M OR N
			143-215JM	254-326JM	143-215JM	254-326JM	143-215JM	254-326JM
1	1	Impeller (Bronze)(1160, 1450 & 1760 RPM)	953-1067RP**	953-1069RP**	953-4314RP**	953-4313RP**	953-6306RP	N/A
1	1	Impeller (Stainless Steel)(1160, 1450 & 1760 RPM)	N/A	N/A	N/A	N/A	953-6306SRP	N/A
1	1	Impeller (BRZ) (With B/H, 2900 & 3600 RPM)	N/A	N/A	N/A	N/A	953-6318RP	953-6307RP
1	1	Impeller (SS) (With B/H, 2900 & 3600 RPM)	N/A	N/A	N/A	N/A	953-6318SRP	953-6307SRP
2	1	Casing (125#) (No W/R)	953-1074RP	953-1074RP	953-4201RP	953-4201RP	953-6302RP	953-6302RP
2	1	Casing (250#) (No W/R)	953-1247RP	953-1247RP	953-4202RP	953-4202RP	953-6303RP	953-6303RP
2	1	Casing (125#) (Bronze W/R)	953-2304RP	953-2304RP	953-4203RP	953-4203RP	953-6304RP	953-6304RP
2	1	Casing (250#) (Bronze W/R)	953-2305RP	953-2305RP	953-4204RP	953-4204RP	953-6305RP	953-6305RP
3	1 (W/R)	Wear Ring (Bronze)	953-1076RP	953-1076RP	953-1076RP	953-1076RP	953-6308LRP	953-6308LRP
5	1	Dowdy Washer	951-2578RP	951-2579RP	951-2578RP	951-2579RP	951-2578RP	951-2579RP
6	1	Impeller Bolt (Stainless Steel)	3/8NCX1LG	1/2NCX1-1/2LG	3/8NCX2LG	1/2NCX1-1/2LG	3/8NCX1 1/4LG	1/2NCX1-1/2LG
7	1	Impeller Key (Stainless Steel)	3/16X3/16X1-1/8LG	1/4X1/4X2LG	3/16X3/16X1-1/2LG	1/4X1/4X2LG	3/16X3/16X1-1/8LG	1/4X1/4X2LG
8	1	Impeller Washer	953-828RP	953-829RP	953-828RP	953-829RP	953-828RP	953-829RP
9	1	Gasket (Casing)	953-1009RP	953-1009RP	953-4383RP	953-4383RP	953-4383RP	953-4383RP
14	12	Casing Bolt (Steel)	3/8NCX1LG	3/8NCX1LG	3/8NCX1-1/4LG	3/8NCX1-1/4LG	3/8NCX1-1/4LG	3/8NCX1-1/4LG
18	4	Pipe Plug (Steel)	1/4 NPT	1/4 NPT	1/4 NPT	1/4 NPT	1/4 NPT	1/4 NPT
26	12	Casing Washer (Zinc)	3/8	3/8	3/8	3/8	3/8	3/8
29	1	Impeller Gasket	953-830RP	953-759RP	953-830RP	953-759RP	953-830RP	953-759RP

AW-1110 Rev A

** 2509 IMPELLER IS AVAILABLE FOR ALL SPEEDS

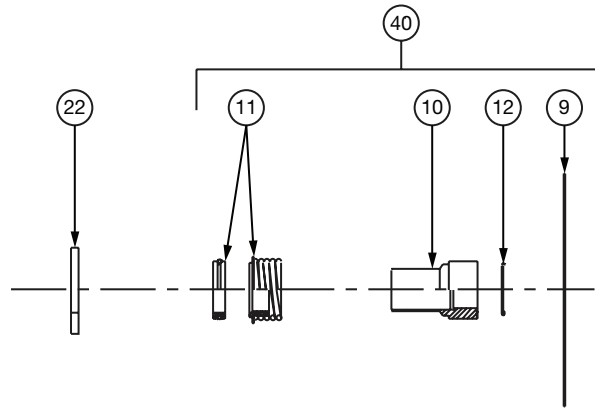
CI Series 9" Cover Replacement Parts



ITEM NUMBER	NUMBER REQUIRED	DESCRIPTION	MOTOR FRAME				PUMP MODEL NUMBER
			H or J	K	L	M OR N	
			143-184JM	213-215JM	254-256JM	284-326JM	
4	1	Cover	953-849RP	953-853RP	953-900RP	953-903RP	2509
4	1	Cover, 125#	953-4347RP	953-4348RP	953-4220RP	953-4288RP	2509C
		Cover, 250#	953-4377RP	953-4378RP	953-4379RP	953-4380RP	
4	1	Cover, 125#	953-6050-25RP	953-6044-25RP	953-6039-25RP	953-6041-25RP	2509D
		Cover, 250#	953-6050-25RP	953-6044-25RP	953-6040-25RP	953-6042-25RP	
9	1	Gasket (Casing)	see page 1	see page 1	see page 1	see page 1	ALL ABOVE
20	4	Motor Bolt	3/8 NC x 1 LG	1/2 NC x 1/4 LG	1/2 NC x 1 1/2 LG	5/8 NC x 1 1/4 LG	
27	4	Motor Washer	3/8	1/2	1/2	5/8	
35	1	Tube Kit	951-1547RP	951-1547RP	951-1547RP	951-1547RP	

From AW-684 Rev H

CI Series Seal Replacement Parts



ITEM NO.	NO. REQ.	DESCRIPTION	2509, 2509C, 2509D	2509, 2509C, 2509D	2509, 2509C, 2509D	2509, 2509C, 2509D
			MOTOR FRAME			
			H, J, OR K	L, M, N OR R	H, J, OR K	L, M, N OR R
			143-215JM	254-365JM	143-215JM	254-365JM
			MECHANICAL DESIGN (125#)		MECHANICAL DESIGN (250#)	
9	1	Gasket (Casing)	See Page 1	See Page 1	See Page 1	See Page 1
10	1	Sleeve (SS)	953-1118RP	953-1170RP	953-1892RP	953-1891RP
10	1	Sleeve (Bronze)	953-1119RP	953-1171RP	953-1861RP	953-1887RP
11	1	Seal (Type B)	951-3157RP	951-3158RP	951-3766RP	951-5158RP
11	1	Seal (Type D)	951-3159RP	951-3160RP	951-3781RP	951-5159RP
11	1	Seal (Type E)	951-3161RP	951-3162RP	951-3782RP	951-5160RP
11	1	Seal (Type F)	951-6415RP	951-6417RP	951-6461RP	951-6456RP
12	1	Sleeve Gasket	592-525RP	951-3042RP	953-525RP	951-3042RP
22	1	Deflector	900-044RP	951-3065RP	900-044RP	951-3065RP
40	1	Seal Kit (Type B) SS	953-1549-1RP	953-1549-4RP	953-1549-7RP	953-1549-10RP
40	1	Seal Kit (Type B) BRZ	953-1549-1BRP	953-1549-4BRP	953-1549-7BRP	953-1549-10BRP
40	1	Seal Kit (Type D) SS	953-1549-2RP	953-1549-5RP	953-1549-8RP	953-1549-11RP
40	1	Seal Kit (Type D) BRZ	953-1549-2BRP	953-1549-5BRP	953-1549-8BRP	953-1549-11BRP
40	1	Seal Kit (Type E) SS	953-1549-3RP	953-1549-6RP	953-1549-9RP	953-1549-12RP
40	1	Seal Kit (Type E) BRZ	953-1549-3BRP	953-1549-6BRP	953-1549-9BRP	953-1549-12BRP
40	1	Seal Kit (Type F) SS	953-1549-41RP	953-1549-42RP	953-1549-43RP	953-1549-44RP
40	1	Seal Kit (Type F) BRZ	953-1549-41BRP	953-1549-42BRP	953-1549-43BRP	953-1549-44BRP

From AW-687 Rev S



Taco, Inc., 1160 Cranston Street, Cranston, RI 02920 | Tel: (401) 942-8000 | FAX: (401) 942-2360

Taco (Canada), Ltd., 8450 Lawson Road, Suite #3, Milton, Ontario L9T 0J8 | Tel: (905) 564-9422 | FAX: (905) 564-9436

Visit our web site: www.TacoComfort.com | Printed in USA | ©2019 Taco, Inc.

