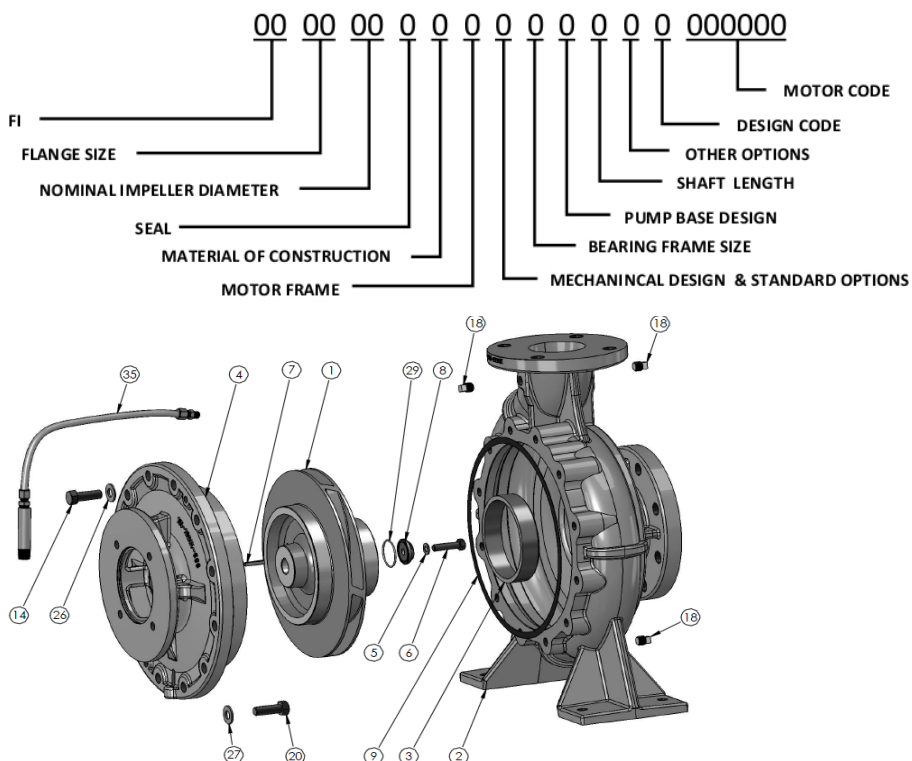


## FI 1507 & FI 1507 D

SUPERSEDES: March 1, 2018

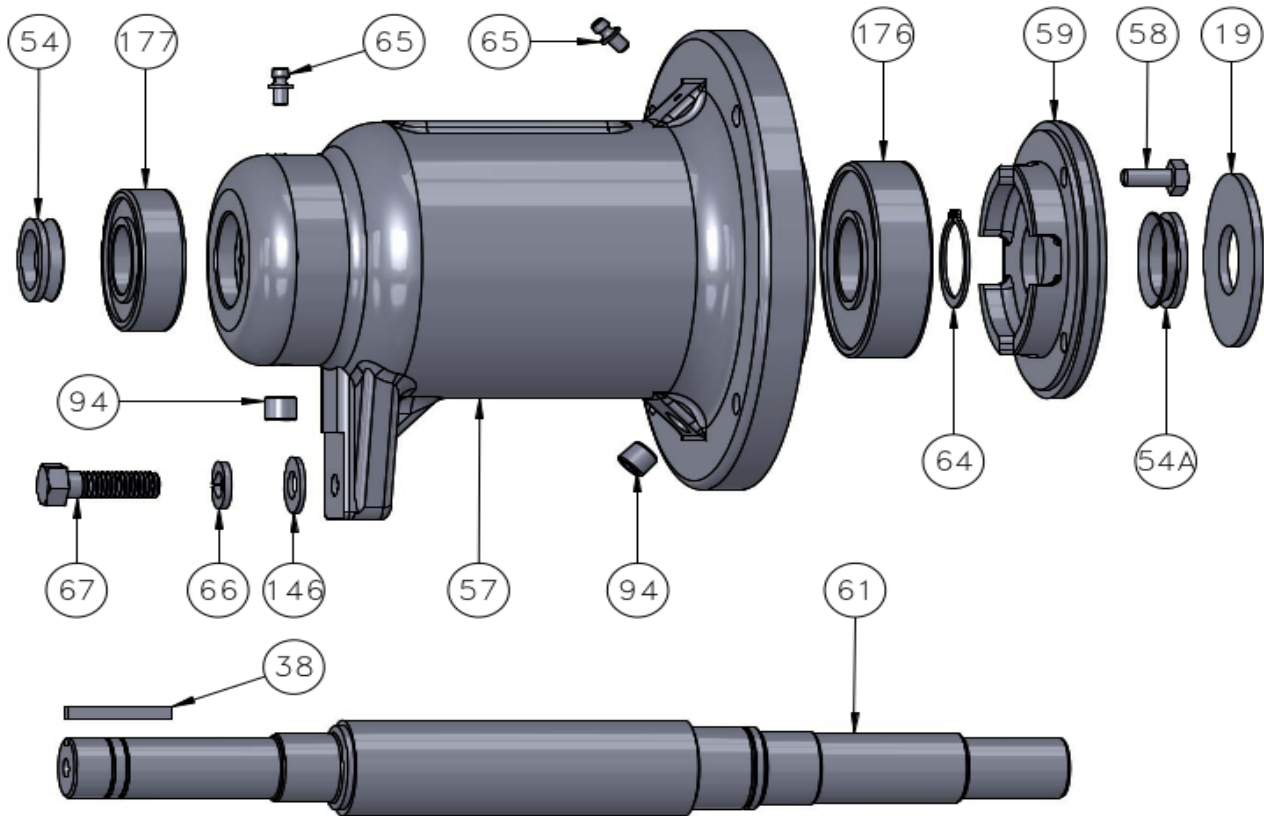
EFFECTIVE: February 5, 2019

WHEN ORDERING PARTS, ALWAYS REFER TO SERIAL NUMBER ON NAMEPLATE



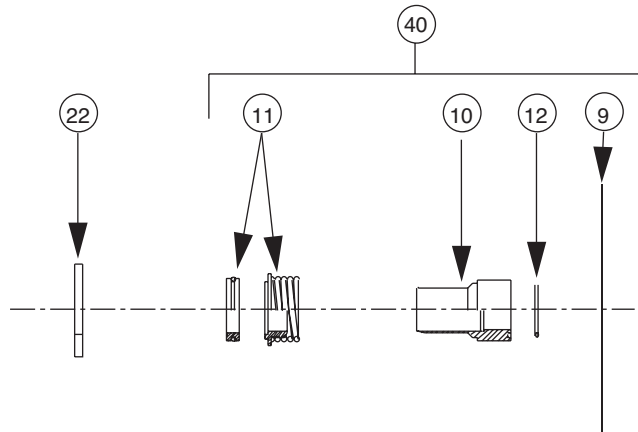
ITEM NUMBER	NUMBER REQUIRED	DESCRIPTION	FI 1507	FI 1507D
			BEARING FRAME H	BEARING FRAME H
1	1	Impeller (Bronze)(1160, 1450 & 1760 RPM)	953-1051RP**	953-5277RP
1	1	Impeller (Stainless Steel)(1160, 1450 & 1760 RPM)	N/A	953-5279RP
1	1	Impeller (BRZ) (With B/H, 2900 & 3600 RPM)	N/A	953-6032RP
1	1	Impeller (SS) (With B/H, 2900 & 3600 RPM)	N/A	953-6033RP
2	1	Casing (125#) (No W/R)	953-2395RP*	953-6001RP
2	1	Casing (250#) (No W/R)	953-2396RP*	953-6002RP
2	1	Casing (125#) (Bronze W/R)	953-2397RP*	953-6003RP
2	1	Casing (250#) (Bronze W/R)	953-2398RP*	953-6004RP
3	1 (W/R)	Wear Ring (Bronze)	953-1160RP	953-6007RP
4	1	Cover, 125#	953-1161RP	953-6011-12RP
4	1	Cover, 250#	953-1161RP	953-6012-12RP
5	1	Dowdy Washer	951-2578RP	951-2578RP
6	1	Impeller Bolt (Stainless Steel)	3/8NCX1LG	3/8NCX1 1/2LG
7	1	Impeller Key (Stainless Steel)	3/16X3/16X1-1/8LG	3/16X3/16X1-1/8LG
8	1	Impeller Washer	953-828RP	953-5276RP
9	1	Gasket (Casing)	953-568RP	953-5007RP
14	12	Casing Bolt (Steel)	3/8NCX1LG	3/8NCX1LG
18	3	Pipe Plug (Steel)	1/4 NPT	1/4 NPT
26	12	Casing Washer (Zinc)	3/8	3/8
29	1	Impeller Gasket	953-830RP	950-1409RP
20	4	Bearing Frame Bolt	3/8NCX1LG	3/8NCX1LG
27	4	Bearing Frame Washer	3/8	3/8
35	1	Tube Kit	951-1547RP	951-1547RP

# FI 'H' Frame Replacement Parts



ITEM NUMBER	NUMBER REQUIRED	DESCRIPTION	STANDARD SEALED BEARINGS PART NO.	OPTIONAL GREASEABLE BEARINGS PART NO.	REMARKS
-	1	FRAME ASSEMBLY (CS)	953-2218RP	953-2219RP	CARBON STEEL SHAFT STAINLESS STEEL SHAFT
-	1	FRAME ASSEMBLY (CS)	953-2224RP	953-2225RP	
57	1	HOUSING	953-2205RP	953-2200RP	
61	1	SHAFT (CS)	953-2202RP	953-2202RP	CARBON STEEL STAINLESS STEEL
61	1	SHAFT (CS)	953-2204RP	953-2204RP	
59	1	END CAP	953-2201RP	953-2201RP	
67	1	BOLT, FOOT SUPPORT	10-215RP	10-215RP	
66	1	LOCKWASHER, FOOT SUPPORT	14-101RP	14-101RP	
146	1	FLAT WASHER, FOOT SUPPORT	14-316RP	14-316RP	
38	1	KEY-SHAFT	13-103RP	13-103RP	
176	1	BALL BEARING, FRONT (THRUST)	820-1039RP	820-067RP	
177	1	BALL BEARING, REAR (RADIAL)	953-2216RP	951-2482RP	
19	1	DEFLECTOR	900-043RP	900-043RP	
64	1	RETAINING RING	15-125RP	15-125RP	
58	4	HEX HEAD BOLT, END CAP	10-244RP	10-244RP	
54	1	V RING SEAL, REAR	953-1575-5RP	953-1575-5RP	
54A	1	V RING SEAL, FRONT	953-1575-2RP	953-1575-2RP	
65	2	GREASE FITTING	N/A	15-203RP	
94	2	PIPE PLUG	N/A	16-140RP	

# FI Series Seal Replacement Parts (EPT)

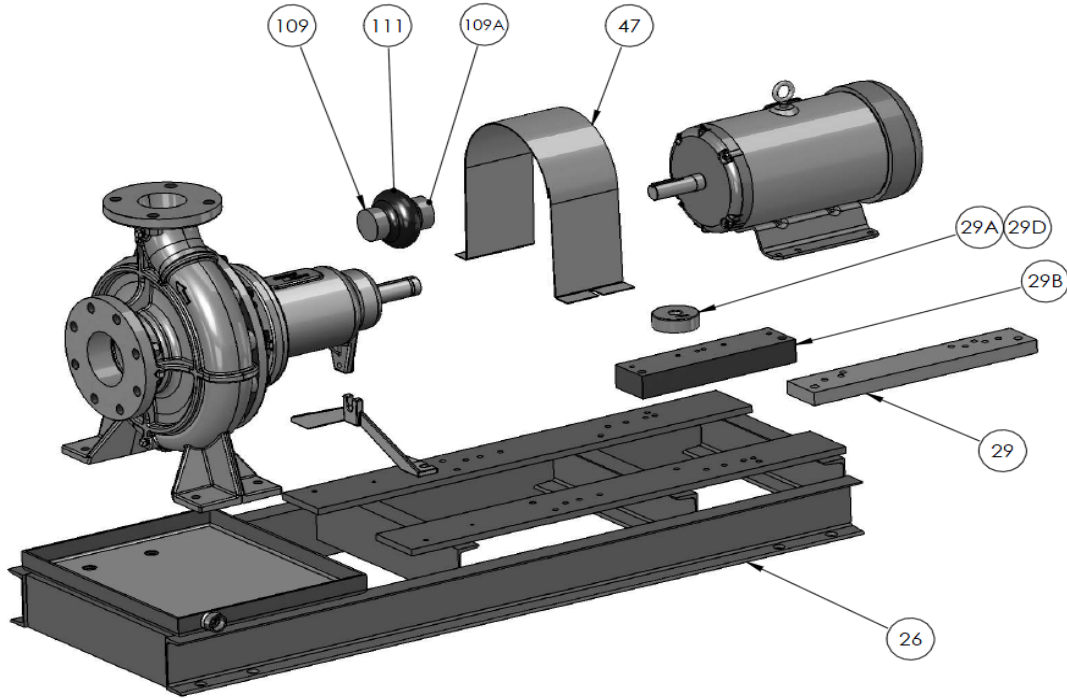


1206, 1206D, 1506, 1506D, 2506, 2506D			1206, 1206D, 1506, 1506D, 2506, 2506D	
1207, 1507, 1207D, 1507D, 2007, 2007D, 2507D	2507, 3007, 4075, 4007, 5007, 2507D		1207, 1507, 1207D, 1507D, 2007, 2007D, 2507D	2507, 3007, 4075, 4007, 5007, 2507D
	2508			2508
1209C, 1509C, 1509D, 2009C, 2009D, 2509C, 4009D	1509, 1509C, 2009, 2009C, 2509, 2509C, 3009, 3009C, 4009, 4009C, 5009, 5009C, 5009D, 5095, 6009, 6009D		1209C, 1509C, 1509D, 2009C, 2009D, 2509C, 4009D	1509, 1509C, 2009, 2009C, 2509, 2509C, 3009, 3009C, 4009, 4009C, 5009, 5009C, 5009D, 5095, 6009, 6009D
2510C	2510		2510C	2510
	1511, 2511, 2511D, 3011, 3011D, 4011, 4011C, 5011, 6011, 6011D			1511, 2511, 2511D, 3011, 3011D, 4011, 4011C, 5011, 6011, 6011D
	2513, 3013, 4013	5013, 6013		2513, 3013, 4013

ITEM NO.	NO. REQ.	DESCRIPTION	BEARING FRAME				
			MECHANICAL DESIGN (125#)			MECHANICAL DESIGN (250#)	
			H	J	L	H	J
9	1	Gasket (Casing)	See Page 1	See Page 1	See Page 1	See Page 1	See Page 1
10	1	Sleeve (SS)	953-1118RP	953-1170RP	953-1127RP	953-1892RP	953-1891RP
10	1	Sleeve (Brz)	953-1119RP	953-1171RP	953-1173RP	953-1861RP	953-1887RP
11	1	Seal (Type B)	951-3157RP	951-3158RP	951-2966RP	951-3766RP	951-5158RP
11	1	Seal (Type D)	951-3159RP	951-3160RP	951-2967RP	951-3781RP	951-5159RP
11	1	Seal (Type E)	951-3161RP	951-3162RP	951-2968RP	951-3782RP	951-5160RP
11	1	Seal (Type F)	951-6415RP	951-6417RP	951-6419RP	951-6461RP	951-6456RP
12	1	Sleeve O-Ring	592-525RP	951-3042RP	951-5277RP	592-525RP	951-3042RP
22	1	Deflector	900-043RP	951-3040RP	951-3065RP	900-043RP	951-3040RP
40	1	Seal Kit (Type B) SS	953-1549-1RP	953-1549-4RP	953-1549-14RP	953-1549-7RP	953-1549-10RP
40	1	Seal Kit (Type B) Brz	953-1549-1BRP	953-1549-4BRP	953-1549-14BRP	953-1549-7BRP	953-1549-10BRP
40	1	Seal Kit (Type D) SS	953-1549-2RP	953-1549-5RP	953-1549-15RP	953-1549-8RP	953-1549-11RP
40	1	Seal Kit (Type D) Brz	953-1549-2BRP	953-1549-5BRP	953-1549-15BRP	953-1549-8BRP	953-1549-11BRP
40	1	Seal Kit (Type E) SS	953-1549-3RP	953-1549-6RP	953-1549-16RP	953-1549-9RP	953-1549-12RP
40	1	Seal Kit (Type E) Brz	953-1549-3BRP	953-1549-6BRP	953-1549-16BRP	953-1549-9BRP	953-1549-12BRP
40	1	Seal Kit (Type F) SS	953-1549-41RP	953-1549-42RP	953-1549-45RP	953-1549-43RP	953-1549-44RP
40	1	Seal Kit (Type F) Brz	953-1549-41BRP	953-1549-42BRP	953-1549-45BRP	953-1549-43BRP	953-1549-44BRP

AW-698 REV 5

# Motor Replacement Parts



FI 1507 MOTOR FRAMES (NEMA STANDARD) "T"													
ITEM NO.	NO. REQ.	DESCRIPTION	56	143T	145T	182T	184T	213T	215T	254T	256T	284TS	286TS
47	1	Coupler Guard	951-3075RP	951-3075RP	951-3075RP	951-3075RP	951-3075RP	951-3077RP	951-3077RP	951-3077RP	951-3077RP	951-3574RP	N/A
109	1	Pump Coupler Half	953-2427RP	953-2427RP	953-2427RP	953-2427RP	953-2427RP	953-2433RP	953-2433RP	953-2439RP	953-2439RP	953-2439RP	N/A
109A	1	Motor Coupler Half	953-2425RP	953-2427RP	953-2427RP	953-2429RP	953-2429RP	953-2437RP	953-2437RP	953-2445RP	953-2445RP	953-2445RP	N/A
111	1	Coupler Insert	953-2424RP	953-2424RP	953-2424RP	953-2424RP	953-2424RP	953-2430RP	953-2430RP	953-2438RP	953-2438RP	953-2438RP	N/A
*	1	OSHA Coupler Guard	953-1914RP	953-1914RP	953-1914RP	953-1914RP	953-1914RP	953-1914RP	953-1914RP	953-1914RP	953-1914RP	953-1915RP	N/A
26	1	Base	953-1686RP	953-1686RP	953-1686RP	953-1686RP	953-1686RP	953-2335RP	953-2335RP	953-4290RP	953-4290RP	953-4390RP	N/A
29	2	Spacer (1st) Motor	951-5203RP	951-5201RP	951-5201RP	N/A	N/A	N/A	N/A	N/A	N/A	N/A	N/A
29A	4	Spacer (2nd) Motor	N/A	N/A	N/A	N/A	N/A	953-2229RP	953-2229RP	N/A	N/A	953-5314RP	N/A
FI 1507D MOTOR FRAMES (NEMA STANDARD) "T"													
ITEM NO.	NO. REQ.	DESCRIPTION	56	143T	145T	182T	184T	213T	215T	254T	256T	284TS	286TS
47	1	Coupler Guard	951-3075RP	951-3075RP	951-3075RP	951-3075RP	951-3075RP	951-3077RP	951-3077RP	951-3077RP	951-3077RP	951-3574RP	N/A
109	1	Pump Coupler Half	953-2427RP	953-2427RP	953-2427RP	953-2427RP	953-2427RP	953-2433RP	953-2433RP	953-2439RP	953-2439RP	953-2439RP	N/A
109A	1	Motor Coupler Half	953-2425RP	953-2427RP	953-2427RP	953-2429RP	953-2429RP	953-2437RP	953-2437RP	953-2445RP	953-2445RP	953-2445RP	N/A
111	1	Coupler Insert	953-2424RP	953-2424RP	953-2424RP	953-2424RP	953-2424RP	953-2430RP	953-2430RP	953-2438RP	953-2438RP	953-2438RP	N/A
*	1	OSHA Coupler Guard	953-1914RP	953-1914RP	953-1914RP	953-1914RP	953-1914RP	953-1914RP	953-1914RP	953-1914RP	953-1914RP	953-1915RP	N/A
26	1	Base	953-1686RP	953-1686RP	953-1686RP	953-1686RP	953-1686RP	953-2335RP	953-2335RP	953-4290RP	953-4290RP	953-4390RP	N/A
29	2	Spacer (1st) Motor	951-5203RP	951-5201RP	951-5201RP	N/A	N/A	N/A	N/A	N/A	N/A	N/A	N/A
29A	4	Spacer (2nd) Motor	N/A	N/A	N/A	N/A	N/A	953-2229RP	953-2229RP	N/A	N/A	953-5314RP	N/A

AW-2026 REV -

**Taco Comfort Solutions**® A Taco Family Company

Taco, Inc., 1160 Cranston Street, Cranston, RI 02920 | Tel: (401) 942-8000 | FAX: (401) 942-2360

Taco (Canada), Ltd., 8450 Lawson Road, Suite #3, Milton, Ontario L9T 0J8 | Tel: (905) 564-9422 | FAX: (905) 564-9436

Visit our web site: [www.TacoComfort.com](http://www.TacoComfort.com) | Printed in USA | ©2019 Taco, Inc.

