



# Submittal Data Information

## 0015e3<sup>®</sup> ECM High-Efficiency Circulator

101-201

Effective: March 5, 2021

Supersedes: March 20, 2018

Job: \_\_\_\_\_ Engineer: \_\_\_\_\_ Contractor: \_\_\_\_\_ Rep: \_\_\_\_\_

ITEM NO.	MODEL NO.

### Specifications

- Max. Shut-off Head: 18 feet
- Max. Flow: 16 gpm
- Max. Operating Pressure:
  - Cast Iron: 125 psi (8.6 bar)
  - Stainless Steel: 150 psi (10 bar)
- Max. Water Temp: 230°F (110°C)
- Min. Water Temp: 36°F (2°C)
- Electrical specifications:
  - Voltage: 120V, 60 Hz
  - Single phase
  - Max. Operating Power: 44W
  - Max. AMP Rating: 0.54
- Cast iron casing suitable for closed loop systems only
- Stainless steel casing suitable for potable water or open systems
- Not suitable for chilled water
- Taco circulator pumps are for indoor use only
- Acceptable for use with water or maximum of 50% water/glycol solution

### Materials of Construction:

Casing: .....Cast Iron or  
Stainless Steel

Stator Housing:.....Composite

Cartridge:.....Composite

Impeller:.....Composite

Shaft:.....Ceramic

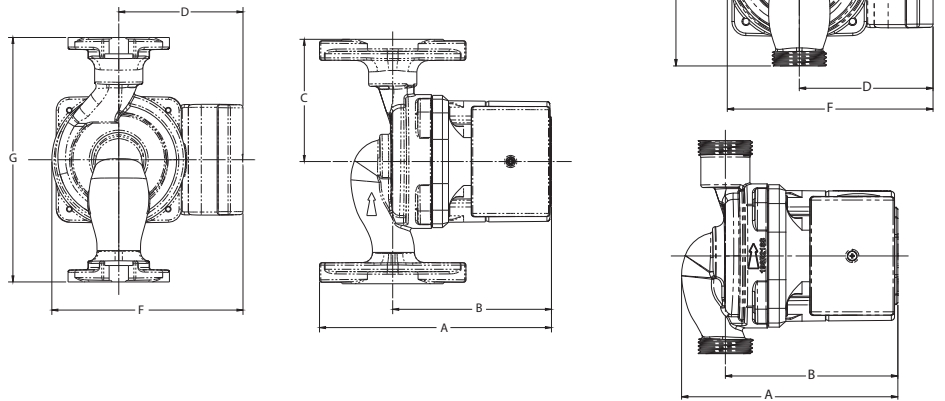
Bearings:.....Carbon

Thrust Bearing:.....Ceramic

O-Ring & Gaskets:.....EPDM

### Applications

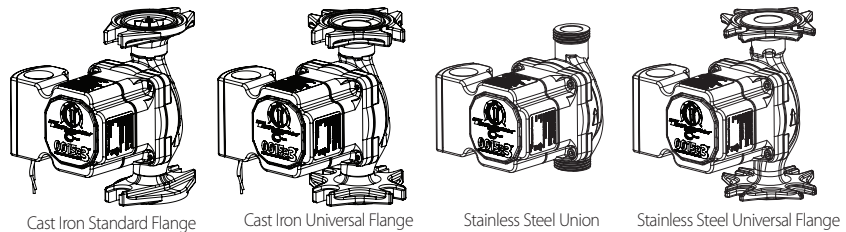
The 0015e3 is a variable speed, high-efficiency wet rotor circulator with an ECM permanent magnet motor. Its ECM performance is equivalent to the Taco 0015 3-Speed circulator. It is ideal for hydronic systems zoned with circulators or zone valves or used on potable water systems for domestic water recirculation. The 0015e3 is not suitable for chilled water systems.



### Pump Dimensions & Weights

Model Number	Connection Type	Casing	A		B		C		D		F		G		Ship Wt.	
			in.	mm	in.	mm	in.	mm	in.	mm	in.	mm	in.	mm	lbs.	Kg
0015e3-2F2	Standard	CI	6	152	4-1/8	104	3-3/16	80	3-1/4	82	5	126	6-3/8	161	5.8	2.6
0015e3-2F4	Universal	CI	6	152	4-1/8	104	3-3/16	80	3-1/4	82	5	126	6-3/8	161	6	3.7
0015e3-SF4	Universal	SS	6	152	4-1/8	104	3-3/16	80	3-1/4	82	5	126	6-3/8	161	5.5	2.5
0015e3-SU	Union	SS	5-1/6	131	4-1/8	104	3-3/16	80	3-1/4	82	5	126	5-1/8	130	4.6	2.1

### Connection Types



### Electrical Data

Model	Volts	Hz	Ph	Max. Amps	Max. Watts	RPM
All Models	120	60	1	.54	44	1590-4830
Motor Type	ECM, Permanent Magnet, Thermally Protected					



Certified to NSF/ANSI 61 & 372

Stainless Steel models only



Taco, Inc., 1160 Cranston Street, Cranston, RI 02920 | Tel: (401) 942-8000 | FAX: (401) 942-2360

Taco (Canada), Ltd., 8450 Lawson Road, Suite #3, Milton, Ontario L9T 0J8 | Tel: (905) 564-9422 | FAX: (905) 564-9436

Visit our web site: www.TacoComfort.com | ©2021 Taco, Inc.

